

COOLING FAN



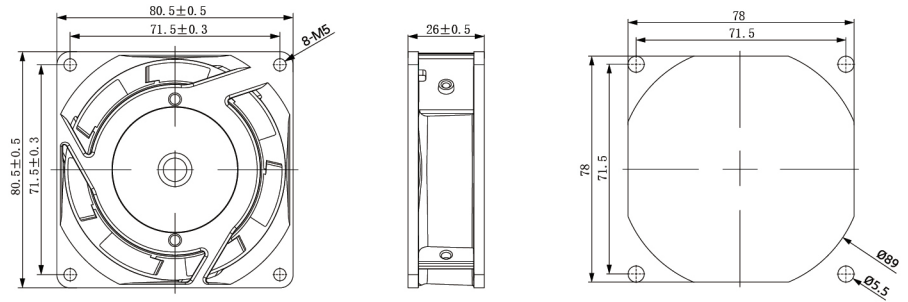
LKA08025 80x80x25mm



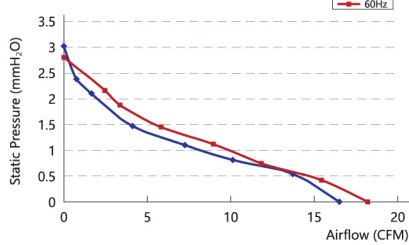
Motor structure: Shaded pole motor
Dielectric strength: AC 1500V, at 0.5mA, 50/60Hz
Insulation level: Class A

Material: Fan blade: PBT, 7 impeller
Bearing: Ball
Motor life: 50000 hours

DIMENSION (mm)



Air Performance



Model	Voltage (V)	Freq (Hz)	Current (A)	Power (W)	Speed (RPM)	Air Volume (m ³ /h)	Max. Air Flow (CFM)	Noise (dB)
LKA08025.115	110/120	50/60	0.12/0.11	12/11	2500/2800	28/31	17/18	26/28
LKA08025.230	220/240	50/60	0.07/0.06	12/11	2500/2800	28/31	17/18	26/28

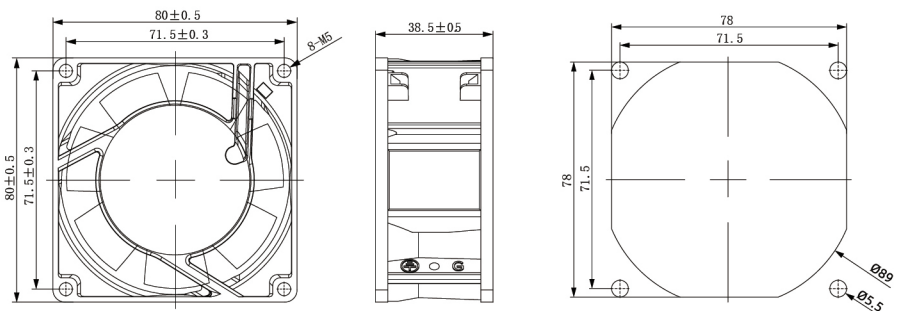
LKA08038 80x80x38mm



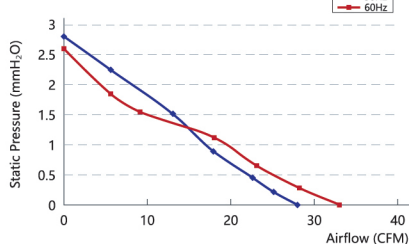
Motor structure: Shaded pole motor
Dielectric strength: AC 1500V, at 0.5mA, 50/60Hz
Insulation level: Class A

Material: Fan blade: PBT, 7 impeller
Bearing: Ball
Motor life: 50000 hours

DIMENSION (mm)



Air Performance



Model	Voltage (V)	Freq (Hz)	Current (A)	Power (W)	Speed (RPM)	Air Volume (m ³ /h)	Max. Air Flow (CFM)	Noise (dB)
LKA08038.115	110/120	50/60	0.16/0.14	13/12	2400/3000	34/43	20/25	28/33
LKA08038.230	220/240	50/60	0.10/0.08	13/12	2400/3000	34/43	20/25	28/33

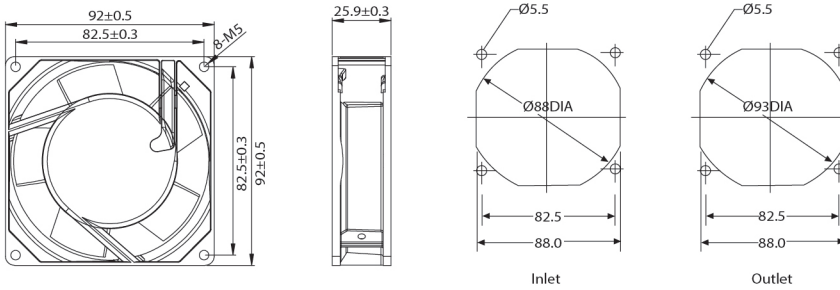
92x92x25mm LKA09225

Motor structure: Shaded pole motor
Dielectric strength: AC 1500V, at 0.5mA, 50/60Hz
Insulation level: Class A

Material: Fan blade: PBT, 5 impeller
Bearing: Ball
Motor life: 50000 hours

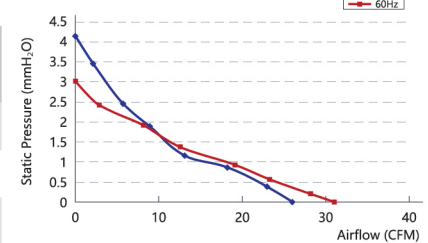


DIMENSION (mm)



Model	Voltage (V)	Freq (Hz)	Current (A)	Power (W)	Speed (RPM)	Air Volume (m ³ /h)	Max. Air Flow (CFM)	Noise (dB)
LKA09225.115	110/120	50/60	0.12/0.11	12/11	2350/2700	44/53	26/31	34/36
LKA09225.230	220/240	50/60	0.07/0.06	12/11	2350/2700	44/53	26/31	34/36

Air Performance



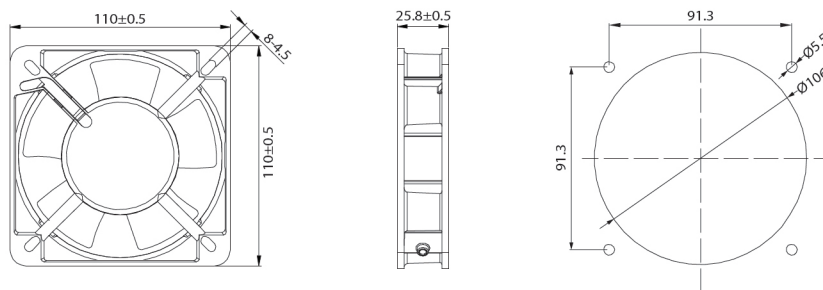
110x110x25mm LKA11025

Motor structure: Shaded pole motor
Dielectric strength: AC 1500V, at 0.5mA, 50/60Hz
Insulation level: Class A

Material: Fan blade: PBT, 5 impeller
Bearing: Ball
Motor life: 50000 hours

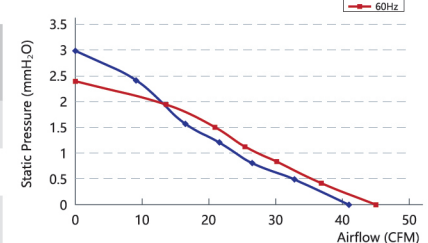


DIMENSION (mm)



Model	Voltage (V)	Freq (Hz)	Current (A)	Power (W)	Speed (RPM)	Air Volume (m ³ /h)	Max. Air Flow (CFM)	Noise (dB)
LKA11025.115	110/120	50/60	0.12/0.11	12/11	2000/2200	70/77	41/45	36/38
LKA11025.230	220/240	50/60	0.07/0.06	12/11	2000/2200	70/77	41/45	36/38

Air Performance



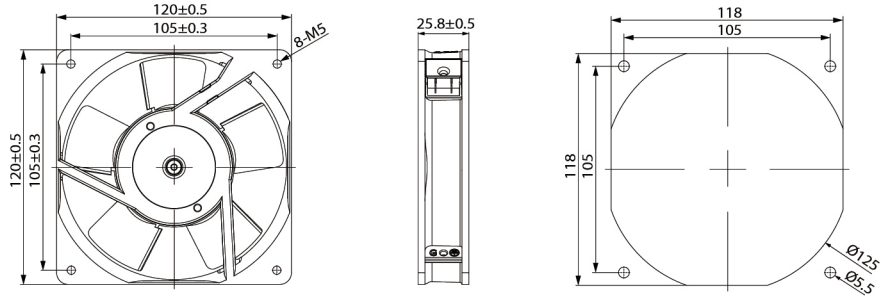
LKA12025 120x120x25mm



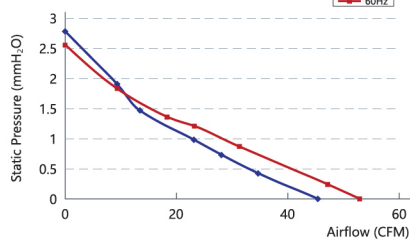
Motor structure: Shaded pole motor
Dielectric strength: AC 1500V, at 0.5mA, 50/60Hz
Insulation level: Class A

Material: Fan blade: PBT, 5 impeller
Bearing: Ball
Motor life: 50000 hours

DIMENSION (mm)



Air Performance



Model	Voltage (V)	Freq (Hz)	Current (A)	Power (W)	Speed (RPM)	Air Volume (m ³ /h)	Max. Air Flow (CFM)	Noise (dB)
LKA12025.115	110/120	50/60	0.12/0.11	12/11	1800/2000	77/90	45/53	39/41
LKA12025.230	220/240	50/60	0.07/0.06	12/11	1800/2000	77/90	45/53	39/41

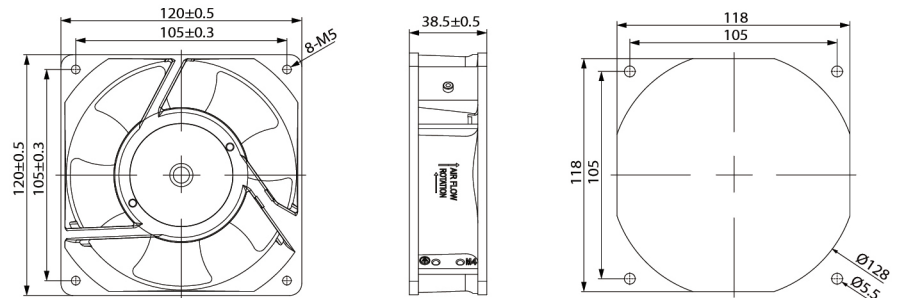
LKA12038 (5 Impeller) 120x120x38mm



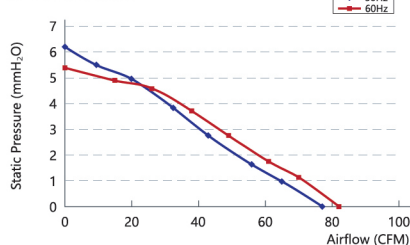
Motor structure: Shaded pole motor
Dielectric strength: AC 1500V, at 0.5mA, 50/60Hz
Insulation level: Class A

Material: Fan blade: PBT, 5 impeller
Bearing: Ball
Motor life: 50000 hours

DIMENSION (mm)



Air Performance



Model	Impeller	Voltage (V)	Freq (Hz)	Current (A)	Power (W)	Speed (RPM)	Air Volume (m ³ /h)	Max. Air Flow (CFM)	Noise (dB)
LKA12038.115	5	110/120	50/60	0.21/0.18	15/13	2600/2900	131/139	77/82	42/44
LKA12038.230	5	220/240	50/60	0.11/0.09	15/13	2600/2900	131/139	77/82	42/44

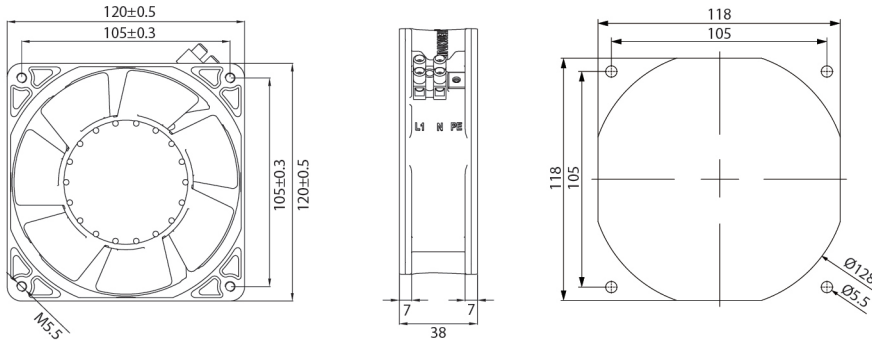
120x120x38mm (7 Impeller) LKA12038

Motor structure: Shaded pole motor
Dielectric strength: AC 1500V, at 0.5mA, 50/60Hz
Insulation level: Class A

Material: Fan blade: PBT, 7 impeller
Bearing: Ball
Motor life: 50000 hours

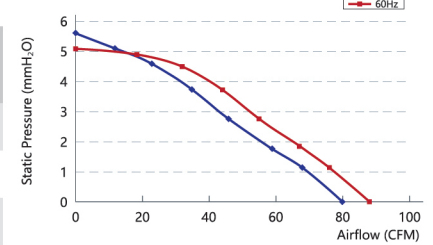


DIMENSION (mm)



Model	Impeller	Voltage (V)	Freq (Hz)	Current (A)	Power (W)	Speed (RPM)	Air Volume (m ³ /h)	Max. Air Flow (CFM)	Noise (dB)
LKA12038.115	7	110/120	50/60	0.21/0.18	19/18	2500/2700	136/149.6	80/88	44/46
LKA12038.230	7	220/240	50/60	0.11/0.09	19/18	2500/2700	136/149.6	80/88	44/46

Air Performance



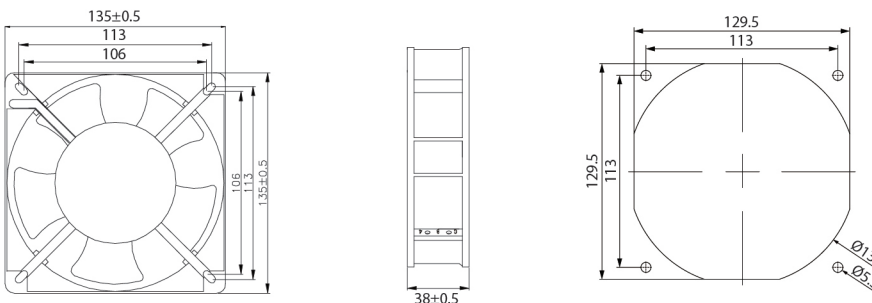
135x135x38mm LKA13538

Motor structure: Shaded pole motor
Dielectric strength: AC 1500V, at 0.5mA, 50/60Hz
Insulation level: Class A

Material: Fan blade: PBT, 5 impeller
Bearing: Ball
Motor life: 50000 hours

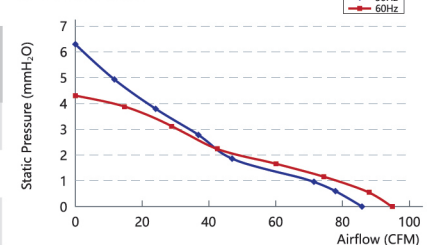


DIMENSION (mm)



Model	Voltage (V)	Freq (Hz)	Current (A)	Power (W)	Speed (RPM)	Air Volume (m ³ /h)	Max. Air Flow (CFM)	Noise (dB)
LKA13538.115	110/120	50/60	0.24/0.22	20/18	2600/2800	146/162	86/95	45/47
LKA13538.230	220/240	50/60	0.12/0.11	20/18	2600/2800	146/162	86/95	45/47

Air Performance



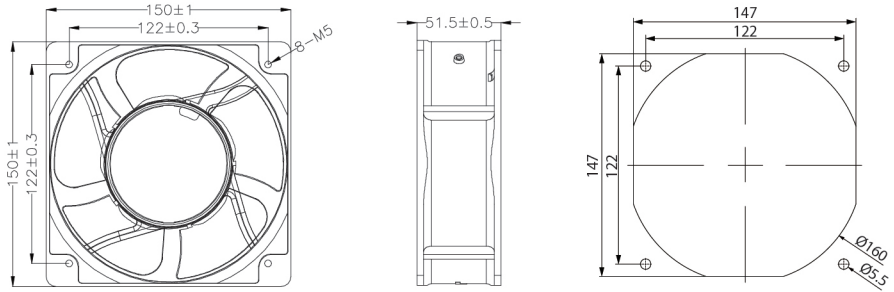
LKA15050 (5 Impeller) 150x150x51mm



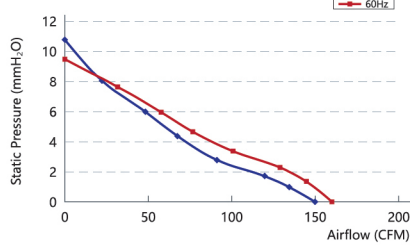
Motor structure: Shaded pole motor
Dielectric strength: AC 1500V, at 0.5mA, 50/60Hz
Insulation level: Class A

Material: Fan blade: PBT, 5 impeller
Bearing: Ball
Motor life: 50000 hours

DIMENSION (mm)



Air Performance



Model	Impeller	Voltage (V)	Freq (Hz)	Current (A)	Power (W)	Speed (RPM)	Air Volume (m ³ /h)	Max. Air Flow (CFM)	Noise (dB)
LKA15050.115	5	110/120	50/60	0.47/0.42	36/30	2700/3000	303/337	178/198	53/57
LKA15050.230	5	220/240	50/60	0.24/0.21	36/30	2700/3000	303/337	178/198	53/57

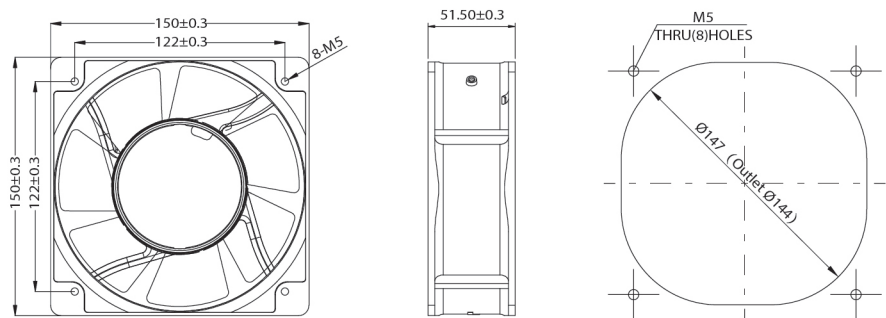
LKA15050 (7 Impeller) 150x150x51mm



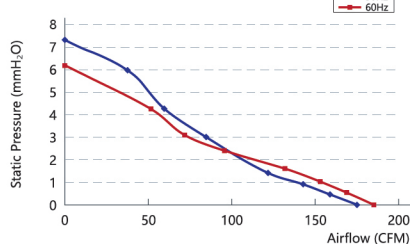
Motor structure: Shaded pole motor
Dielectric strength: AC 1500V, at 0.5mA, 50/60Hz
Insulation level: Class A

Material: Fan blade: PBT, 7 impeller
Bearing: Ball
Motor life: 50000 hours

DIMENSION (mm)



Air Performance



Model	Impeller	Voltage (V)	Freq (Hz)	Current (A)	Power (W)	Speed (RPM)	Air Volume (m ³ /h)	Max. Air Flow (CFM)	Noise (dB)
LKA15050.115	7	110/120	50/60	0.45/0.42	32/30	2500/2600	298/315	175/185	54/58
LKA15050.230	7	220/240	50/60	0.24/0.22	32/30	2500/2600	298/315	175/185	54/58

172x150x51mm (5 Impeller) LKA17251

Motor structure: Shaded pole motor

Dielectric strength: AC 1500V, at 0.5mA, 50/60Hz

Insulation level: Class A

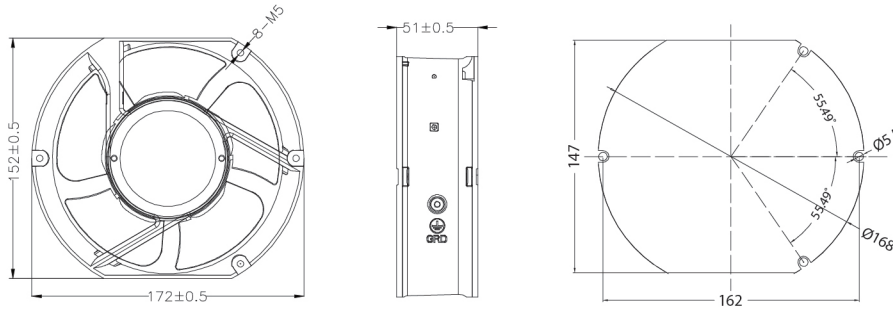
Material: Fan blade: PBT

Bearing: Ball

Motor life: 50000 hours

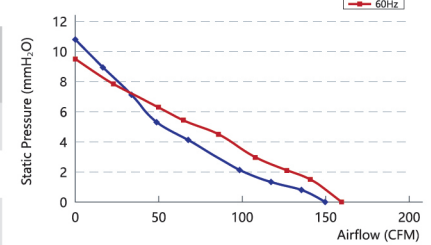


DIMENSION (mm)



Model	Impeller	Voltage (V)	Freq (Hz)	Current (A)	Power (W)	Speed (RPM)	Air Volume (m ³ /h)	Max. Air Flow (CFM)	Noise (dB)
LKA17251.115	5	110/120	50/60	0.47/0.42	36/30	2700/3000	303/337	178/198	53/57
LKA17251.230	5	220/240	50/60	0.24/0.21	36/30	2700/3000	303/337	178/198	53/57

Air Performance



172x150x51mm (7 Impeller) LKA17251

Motor structure: Shaded pole motor

Dielectric strength: AC 1500V, at 0.5mA, 50/60Hz

Insulation level: Class A

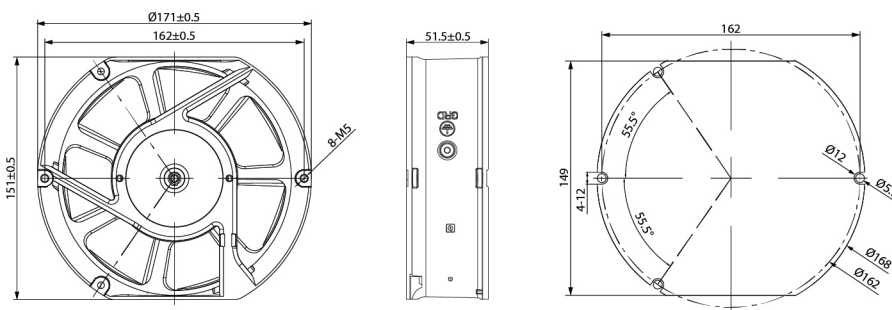
Material: Fan blade: PBT

Bearing: Ball

Motor life: 50000 hours

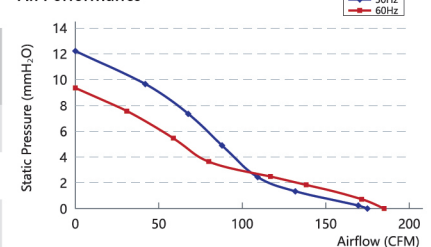


DIMENSION (mm)



Model	Impeller	Voltage (V)	Freq (Hz)	Current (A)	Power (W)	Speed (RPM)	Air Volume (m ³ /h)	Max. Air Flow (CFM)	Noise (dB)
LKA17251.115	7	110/120	50/60	0.45/0.42	32/30	2500/2600	298/315	175/185	54/58
LKA17251.230	7	220/240	50/60	0.24/0.22	32/30	2500/2600	298/315	175/185	54/58

Air Performance



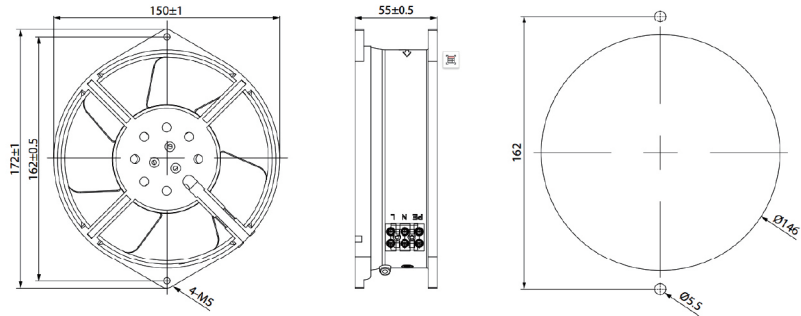
LKA17255 172x162x55mm



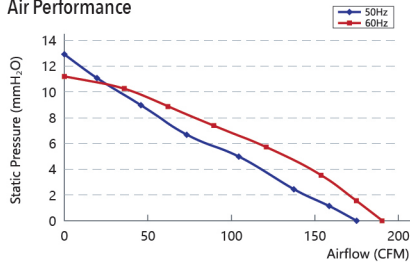
Motor structure: Shaded pole motor
Dielectric strength: AC 1500V, at 0.5mA, 50/60Hz
Insulation level: Class A

Material: Fan blade: Cold rolled plate, 7 impeller
Bearing: Ball
Motor life: 50000 hours

DIMENSION (mm)



Air Performance



Model	Voltage (V)	Freq (Hz)	Current (A)	Power (W)	Speed (RPM)	Air Volume (m ³ /h)	Max. Air Flow (CFM)	Noise (dB)
LKA17255.115	110/120	50/60	0.50/0.45	38/39	2700/3000	314/355	185/209	52/54
LKA17255.230	220/240	50/60	0.25/0.22	38/39	2700/3000	314/355	185/209	52/54

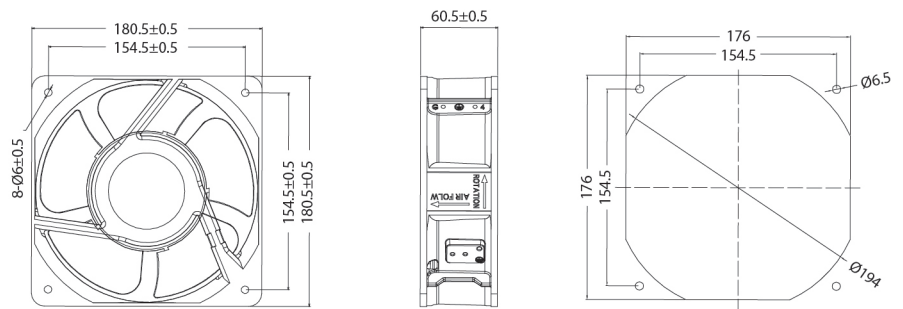
LKA18060 180x180x60mm



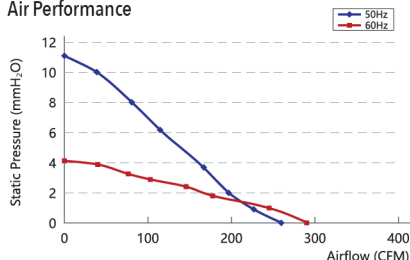
Motor structure: Shaded pole motor
Dielectric strength: AC 1500V, at 0.5mA, 50/60Hz
Insulation level: Class A

Material: Fan blade: PBT, 5 impeller
Bearing: Ball
Motor life: 50000 hours

DIMENSION (mm)



Air Performance



Model	Voltage (V)	Freq (Hz)	Current (A)	Power (W)	Speed (RPM)	Air Volume (m ³ /h)	Max. Air Flow (CFM)	Noise (dB)
LKA18060.115	110/120	50/60	0.54/0.52	42/40	2700/3000	400/451	235/265	61/64
LKA18060.230	220/240	50/60	0.35/0.32	42/40	2700/3000	400/451	235/265	61/64

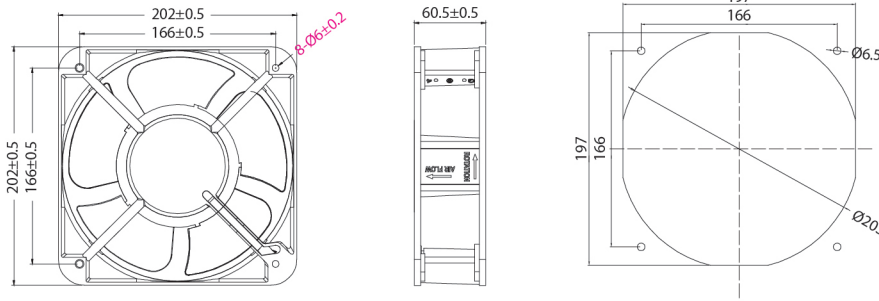
202x202x60mm LKA20060

Motor structure: Shaded pole motor
Dielectric strength: AC 1500V, at 0.5mA, 50/60Hz
Insulation level: Class A

Material: Fan blade: PBT, 5 impeller
Bearing: Ball
Motor life: 50000 hours

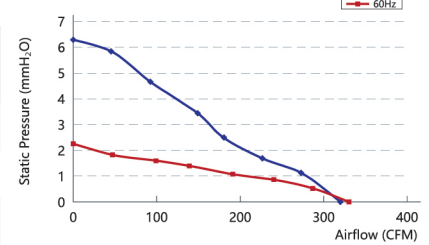


DIMENSION (mm)



Model	Voltage (V)	Freq (Hz)	Current (A)	Power (W)	Speed (RPM)	Air Volume (m³/h)	Max. Air Flow (CFM)	Noise (dB)
LKA20060.115	110/120	50/60	0.71/0.66	45/42	2700/2900	530/563	312/331	55/57
LKA20060.230	220/240	50/60	0.35/0.32	45/42	2700/2900	530/563	312/331	55/57

Air Performance



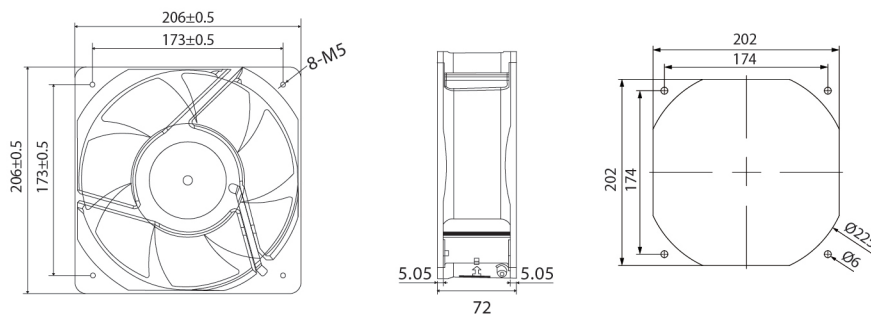
205x205x72mm LKA20572

Motor structure: Shaded pole motor
Dielectric strength: AC 1500V, at 0.5mA, 50/60Hz
Insulation level: Class A

Material: Fan blade: PBT, 7 impeller
Bearing: Ball
Motor life: 50000 hours

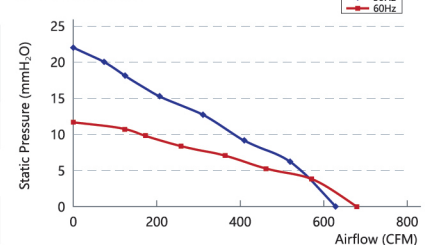


DIMENSION (mm)



Model	Voltage (V)	Freq (Hz)	Current (A)	Power (W)	Speed (RPM)	Air Volume (m³/h)	Max. Air Flow (CFM)	Noise (dB)
LKA20572.115	110/120	50/60	0.70/0.80	60/90	2800/3200	927/1012	546/596	67/69
LKA20572.230	220/240	50/60	0.30/0.40	60/90	2800/3200	927/1012	546/596	67/69

Air Performance



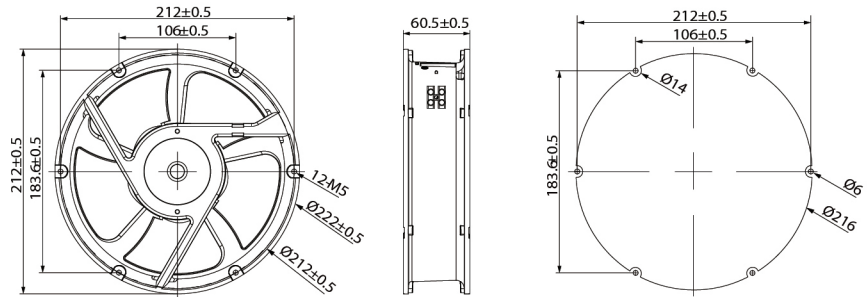
LKA22060 220x60mm



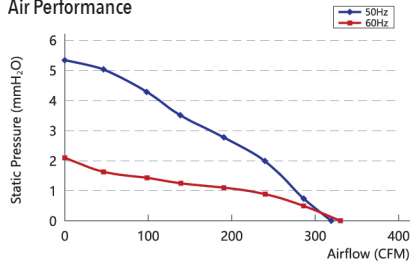
Motor structure: Shaded pole motor
Dielectric strength: AC 1500V, at 0.5mA, 50/60Hz
Insulation level: Class A

Material: Fan blade: PBT, 5 impeller
Bearing: Ball
Motor life: 50000 hours

DIMENSION (mm)



Air Performance



Model	Voltage (V)	Freq (Hz)	Current (A)	Power (W)	Speed (RPM)	Air Volume (m ³ /h)	Max. Air Flow (CFM)	Noise (dB)
LKA22060.115	110/120	50/60	0.60/0.58	45/42	2700/2900	530/563	312/331	55/57
LKA22060.230	220/240	50/60	0.35/0.32	45/42	2700/2900	530/563	312/331	55/57

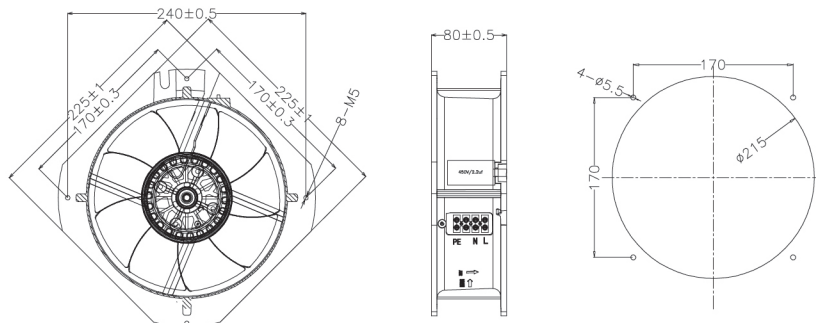
LKA22580 225x225x80mm



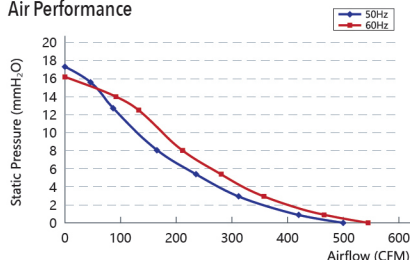
Motor structure: Shaded pole motor
Dielectric strength: AC 1500V, at 0.5mA, 50/60Hz
Insulation level: Class A

Material: Fan blade: Cold rolled plate, 9 impeller
Bearing: Ball
Motor life: 50000 hours

DIMENSION (mm)



Air Performance



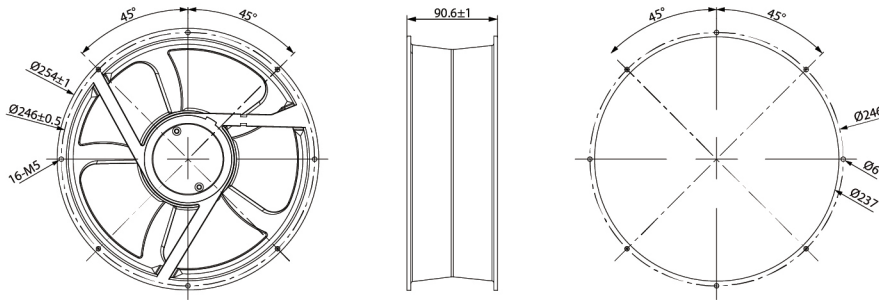
Model	Voltage (V)	Freq (Hz)	Current (A)	Power (W)	Speed (RPM)	Air Volume (m ³ /h)	Max. Air Flow (CFM)	Noise (dB)
LKA22580.115	110/120	50/60	0.70/0.60	60/70	2600/3000	850/927	500/545	60/62
LKA22580.230	220/240	50/60	0.26/0.34	60/70	2600/3000	850/927	500/545	60/62

254x89mm LKA25489

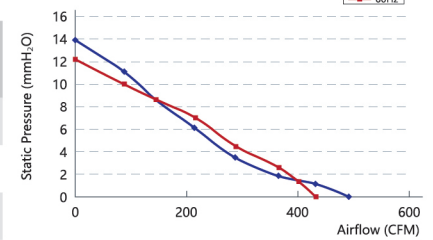
Motor structure: Cage motor
Dielectric strength: AC 1500V, at 0.5mA, 50/60Hz
Insulation level: Class A

Material: Fan blade: PBT, 5 impeller
Bearing: Ball
Motor life: 50000 hours

DIMENSION (mm)



Air Performance



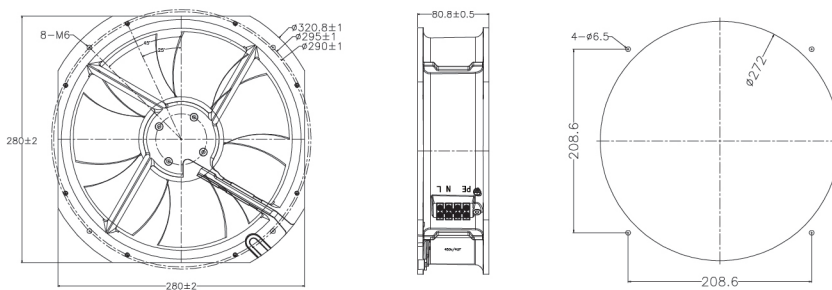
Model	Voltage (V)	Freq (Hz)	Current (A)	Power (W)	Speed (RPM)	Air Volume (m ³ /h)	Max. Air Flow (CFM)	Noise (dB)
LKA25489.115	110/120	50/60	0.45/0.55	50/70	2550/2450	891/918	524/540	70/68
LKA25489.230	220/240	50/60	0.21/0.30	50/70	2550/2450	891/918	524/540	70/68

280x280x80mm LKA28080

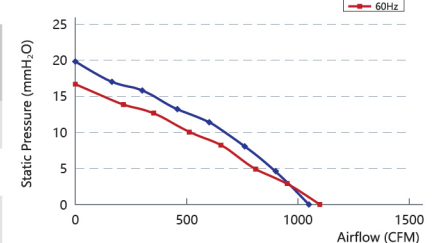
Motor structure: Cage motor
Dielectric strength: AC 1500V, at 0.5mA, 50/60Hz
Insulation level: Class A

Material: Fan blade: Cold rolled plate, 7 impeller
Bearing: Ball
Motor life: 50000 hours

DIMENSION (mm)



Air Performance



Model	Voltage (V)	Freq (Hz)	Current (A)	Power (W)	Speed (RPM)	Air Volume (m ³ /h)	Max. Air Flow (CFM)	Noise (dB)
LKA28080.115	110/120	50/60	1.00/1.10	110/150	2700/3000	1870/1955	1100/1150	70/72
LKA28080.230	220/240	50/60	0.60/0.70	110/150	2700/3000	1870/1955	1100/1150	70/72

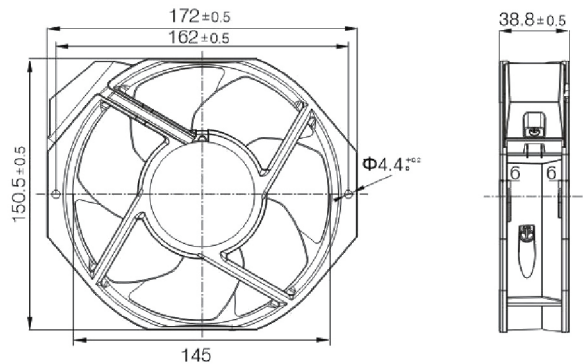
LKA17238-M 172X150X38mm



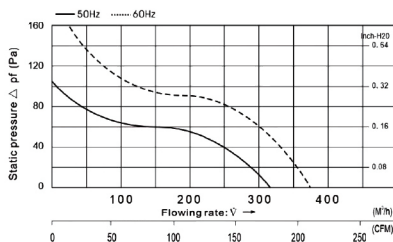
Motor structure: Motor with external rotor inducted by a running capacitor
Dielectric strength: Ac 1500V, at 0.5mA, 50/60Hz
Insulation level: Class F

Material: Cold rolled plate, 7 impeller
Bearing: Ball
Motor life: 50000 hours

DIMENSION (mm)



Air Performance



Model	Rated Voltage (V)	Freq (Hz)	Rated Current (A)	Power (W)	Speed (RPM)	Air Pressure (CFM)	Air Volume (m³/h)	Noise (dB)
LKA17238-M	230	50/60	0.13/0.125	30/29	2800/3300	184/225	314/382	51/55

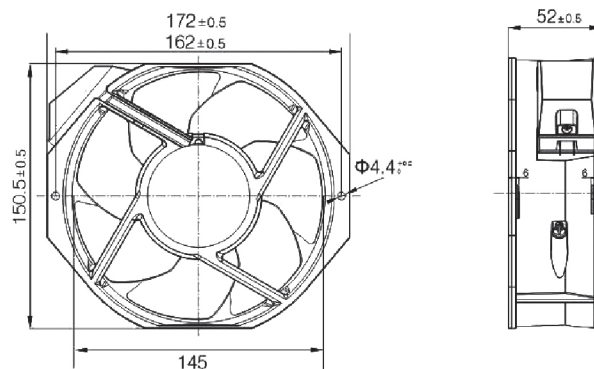
LKA17252-M 172x172x52mm



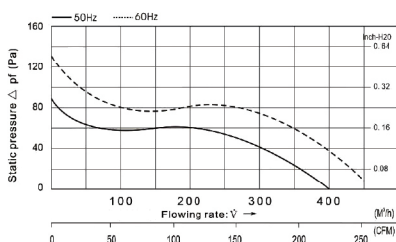
Motor structure: Motor with external rotor inducted by a running capacitor
Dielectric strength: Ac 1500V, at 0.5mA, 50/60Hz
Insulation level: Class F

Material: Cold rolled plate, 7 impeller
Bearing: Ball
Motor life: 50000 hours

DIMENSION (mm)



Air Performance



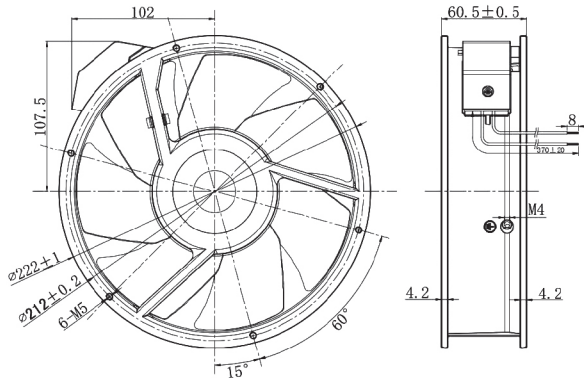
Model	Rated Voltage (V)	Freq (Hz)	Rated Current (A)	Power (W)	Speed (RPM)	Air Pressure (CFM)	Air Volume (m³/h)	Noise (dB)
LKA17252-M	230	50/60	0.17/0.17	40/39	2700/3200	233/281	398/478	53/57

220x220x60mm **LKA22060-M**

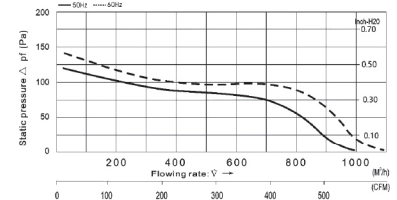
Motor structure: Motor with external rotor inducted by a running capacitor
Dielectric strength: Ac 1500V, at 0.5mA, 50/60Hz
Insulation level: Class F

Material: Cold rolled plate, 7 impeller
Bearing: Ball
Motor life: 50000 hours

DIMENSION (mm)



Air Performance



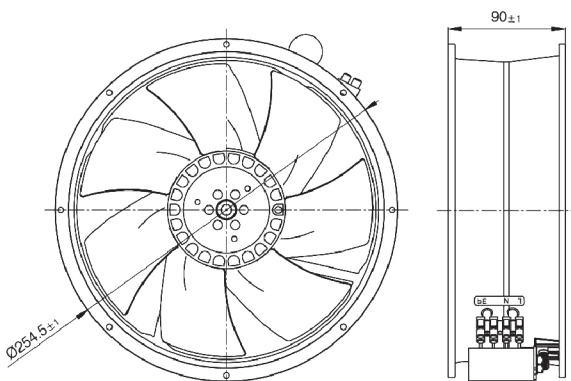
Model	Rated Voltage (V)	Freq (Hz)	Rated Current (A)	Power (W)	Speed (RPM)	Air Pressure (CFM)	Air Volume (m ³ /h)	Noise (dB)
LKA22060-M	230	50/60	0.28/0.33	61/77	2550/2780	585/649	990/1100	62/66

254x254x90mm **LKA25490-M**

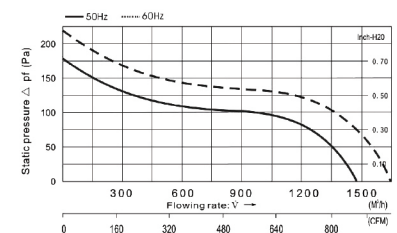
Motor structure: Motor with external rotor inducted by a running capacitor
Dielectric strength: Ac 1500v, at 0.5mA, 50/60Hz
Insulation level: Class F

Material: Cold rolled plate, 7 impeller
Bearing: Ball
Motor life: 50000 hours

DIMENSION (mm)



Air Performance



Model	Rated Voltage (V)	Freq (Hz)	Rated Current (A)	Power (W)	Speed (RPM)	Air Pressure (CFM)	Air Volume (m ³ /h)	Noise (dB)
LKA25490-M	230	50/60	0.45/0.46	86/104	2660/3000	860/1003	1460/1700	66/70

LKE6025 60x60x25mm



Impeller & Frame: Thermoplastic PBT (UL94 V-0)

Bearing system: Ball or sleeve

Weight: 61.2g

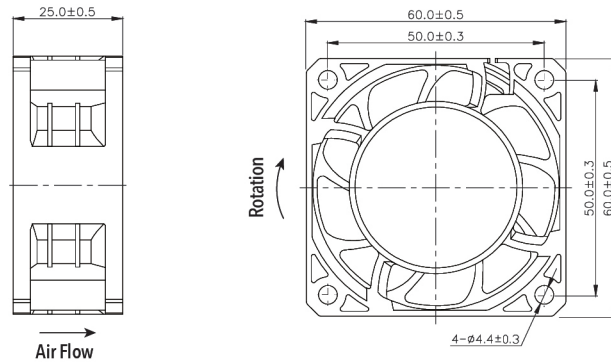
Operation temperature: -30°C~70°C(Ball)

-10°C~55°C(Sleeve)

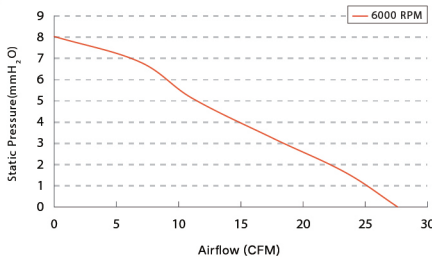
Service life: 70000 hours @40°C(Ball)

30000 hours @40°C(Sleeve)

DIMENSION (mm)



Model	Voltage (V)	Operation Voltage (VAC)	Frequency (Hz)	Power (W)	Speed (RPM)	Maximm Air Flow (m ³ /min) (CFM)	Maximum Air Pressure (mmH ₂ O) (INH ₂ O)	Noise (dB)
LKE6025M 1/2	110/220	110-240	50/60	4.2	6000	0.78 27.60	8.04 0.32	43.1



LKE8025 80x80x25mm



Impeller & Frame: Thermoplastic PBT (UL94 V-0)

Bearing system: Ball or sleeve

Weight: 72g

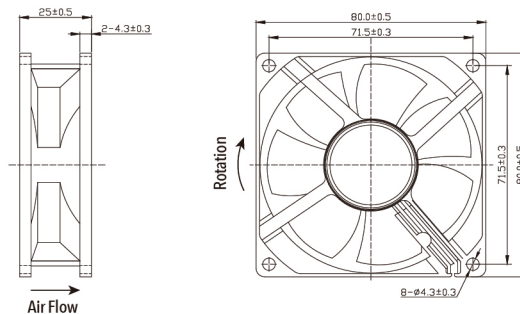
Operation temperature: -30°C~70°C(Ball)

-10°C~55°C(Sleeve)

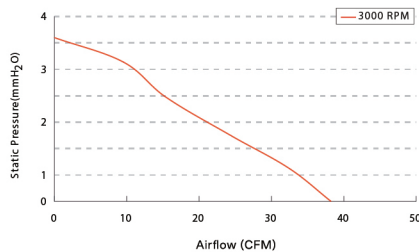
Service life: 70000 hours @40°C(Ball)

30000 hours @40°C(Sleeve)

DIMENSION (mm)



Model	Voltage (V)	Operation Voltage (VAC)	Frequency (Hz)	Power (W)	Speed (RPM)	Maximm Air Flow (m ³ /min) (CFM)	Maximum Air Pressure (mmH ₂ O) (INH ₂ O)	Noise (dB)
LKE8025M 1/2	110/220	110-240	50/60	4.8	3000	1.08 38.23	3.10 0.12	35.7

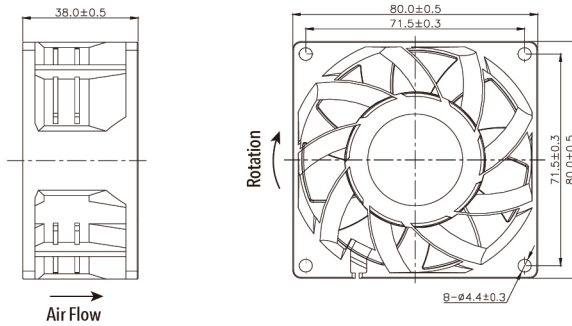


80x80x38mm **LKE8038**

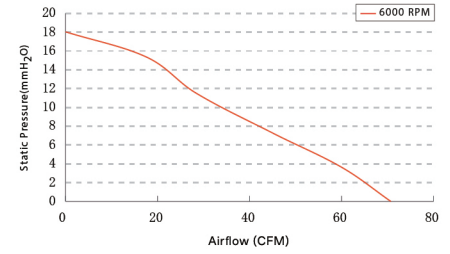
Impeller & Frame: Thermoplastic PBT (UL94 V-0)
Bearing system: Ball bearing
Weight: 177.6g

Operation temperature: -30°C~70°C
Service life: 70000 hours @40°C

DIMENSION (mm)



Model	Voltage	Operation Voltage	Frequency	Power	Speed	Maximm Air Flow		Maximum Air Pressure		Noise
	(V)	(VAC)	(Hz)	(W)	(RPM)	(m ³ /min)	(CFM)	(mmH ₂ O)	(INH ₂ O)	(dB)
LKE8038M 1/2	110/220	110-240	50/60	12	6000	2.00	70.73	18.04	0.71	56.9

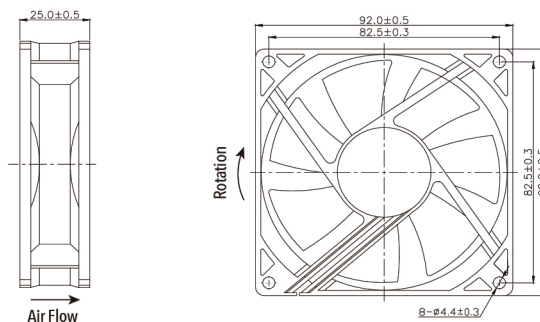


92x92x25mm **LKE9225**

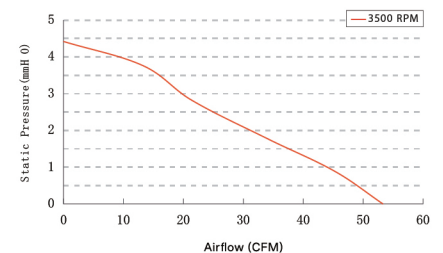
Impeller & Frame: Thermoplastic PBT (UL94 V-0)
Bearing system: Ball or sleeve
Weight: 102g

Operation temperature: -30°C~70°C(Ball)
 -10°C~55°C(Sleeve)
Service life: 70000 hours @40°C(Ball)
 30000 hours @40°C(Sleeve)

DIMENSION (mm)



Model	Voltage	Operation Voltage	Frequency	Power	Speed	Maximm Air Flow		Maximum Air Pressure		Noise
	(V)	(VAC)	(Hz)	(W)	(RPM)	(m ³ /min)	(CFM)	(mmH ₂ O)	(INH ₂ O)	(dB)
LKE9225M 1/2	110/220	110-240	50/60	4.00	3500	1.51	53.3	4.42	0.17	38.5



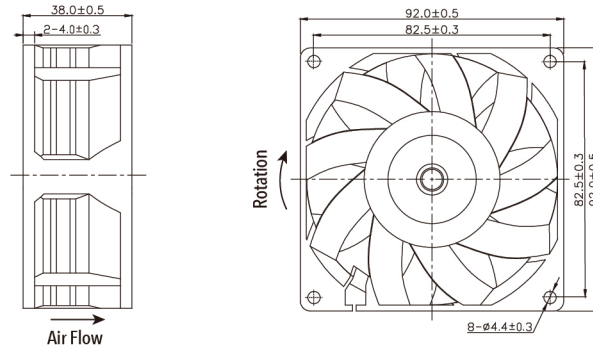
LKE9238 92x92x38mm



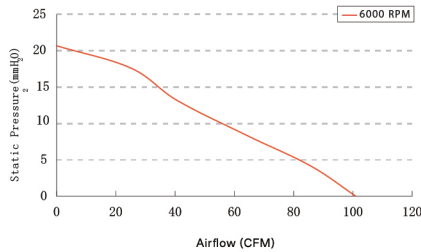
Impeller & Frame: Thermoplastic PBT (UL94 V-0)
 Bearing system: Ball bearing
 Weight: 202g

Operation temperature: -30°C~70°C
 Service life: 70000 hours @40°C

DIMENSION (mm)



Model	Voltage	Operation Voltage	Frequency	Power	Speed	Maximm Air Flow	Maximum Air Pressure	Noise
	(V)	(VAC)	(Hz)	(W)	(RPM)	(m³/min) (CFM)	(mmH ₂ O) (INH ₂ O)	(dB)
LKE9238M 1/2	110/220	110-240	50/60	12.00	6000	2.86 100.98	20.69 0.81	56.6



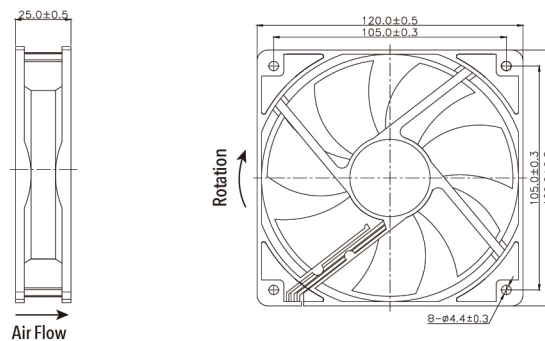
LKE12025 120x120x25mm



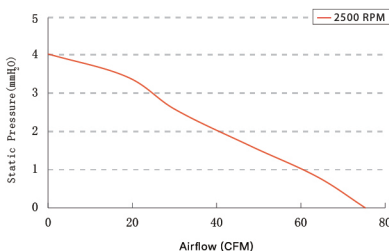
Impeller & Frame: Thermoplastic PBT (UL94 V-0)
 Bearing system: Ball or sleeve
 Weight: 1213g

Operation temperature: -30°C~70°C (Ball)
 -10°C~55°C (Sleeve)
 Service life: 70000 hours @40°C (Ball)
 30000 hours @40°C (Sleeve)

DIMENSION (mm)



Model	Voltage	Operation Voltage	Frequency	Power	Speed	Maximm Air Flow	Maximum Air Pressure	Noise
	(V)	(VAC)	(Hz)	(W)	(RPM)	(m³/min) (CFM)	(mmH ₂ O) (INH ₂ O)	(dB)
LKE12025M 1/2	110/220	110-240	50/60	4.00	2500	2.13 75.29	4.02 0.16	42.4



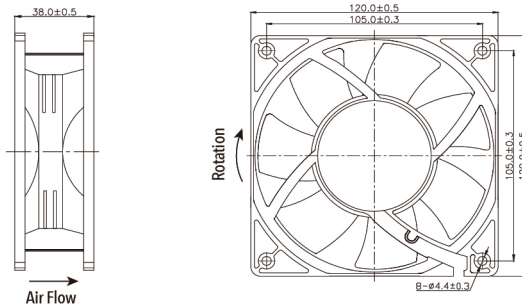
120x120x38mm **LKE12038-7**

Impeller & Frame: Thermoplastic PBT (UL94 V-0)
Bearing system: Ball or sleeve
Weight: 3015g

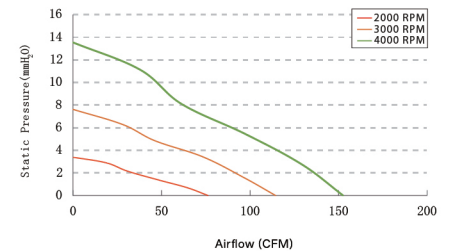
Operation temperature: -30°C~70°C(Ball)
 -10°C~55°C(Sleeve)
Service life: 70000 hours @40°C(Ball)
 30000 hours @40°C(Sleeve)



DIMENSION (mm)



Model	Voltage	Operation Voltage	Frequency	Power	Speed	Maximm Air Flow		Maximum Air Pressure		Noise
	(V)	(VAC)				(m³/min)	(CFM)	(mmH2O)	(INH ₂ O)	
LKE12038L 1/2	110/220	110-240	50/60	5.00	2000	2.16	76.31	3.39	0.13	37.0
LKE12038M 1/2	110/220	110-240	50/60	8.00	3000	3.24	114.47	7.62	0.30	46.7
LKE12038H 1/2	110/220	110-240	50/60	13.00	4000	4.32	152.62	13.54	0.53	53.7



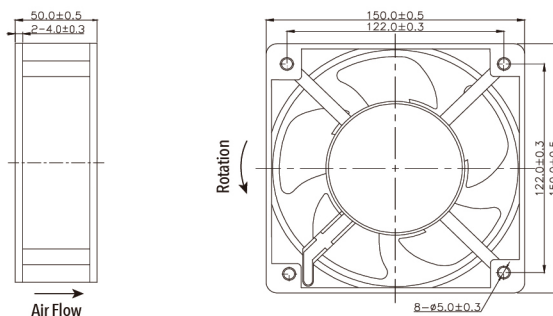
150x150x50mm **LKE15050**

Bearing system: Ball bearing
Frame: Aluminum ADC-12
Impeller: Thermoplastic PBT (UL94 V-0)

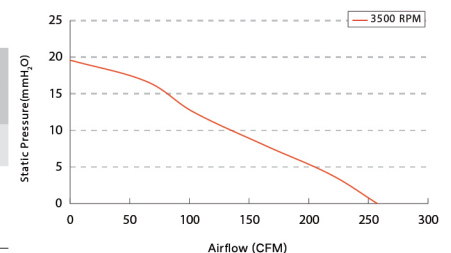
Operation temperature: -30°C~70°C
Service life: 70000 hours @40°C
Weight: 700g



DIMENSION (mm)



Model	Voltage	Operation Voltage	Frequency	Power	Speed	Maximm Air Flow		Maximum Air Pressure		Noise
	(V)	(VAC)				(m³/min)	(CFM)	(mmH2O)	(INH ₂ O)	
LKE15050M110	110	110-120	50/60	25.00	3500	7.29	257.52	19.60	0.77	60.4
LKE15050M220	220	220-240								



LKE17251-A/20060 EC FAN

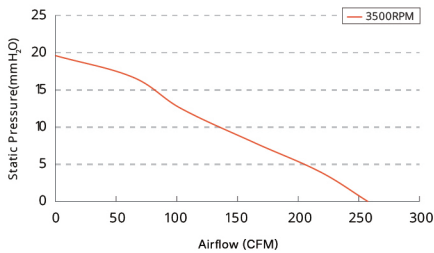
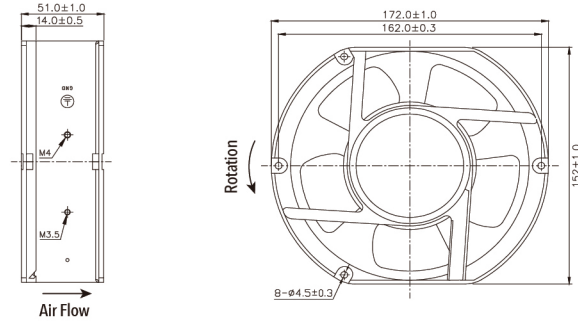
LKE17251-A 172x150x51mm



Bearing system: Ball bearing
Frame: Aluminum ADC-12
Impeller: Thermoplastic PBT (UL94V-0)

Operation temperature: -30°C~70°C
Service life: 70000 hours @40°C
Weight: 655g

DIMENSION (mm)



Model	Voltage (V)	Operation Voltage (VAC)	Frequency (Hz)	Power (W)	Speed (RPM)	Maximm Air Flow (m ³ /min)	Maximum Air Pressure (mmH ₂ O)	Maximum Air Pressure (INH ₂ O)	Noise (dB)
LKE17251-A	110	110-120	50/60	25	3500	7.29	19.60	0.77	60.4
	220	220-240							

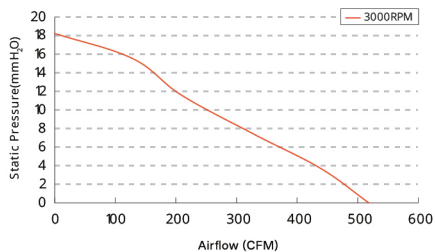
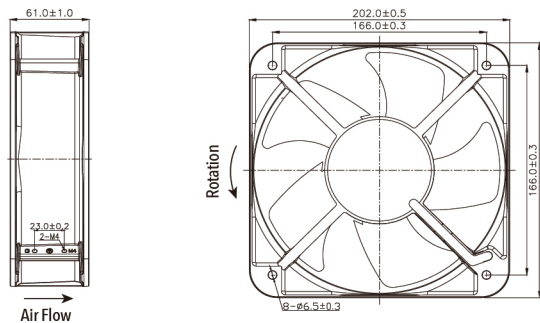
LKE20060 200x200x60mm



Bearing system: Ball bearing
Frame: Aluminum ADC-12
Impeller: Thermoplastic PBT (UL94V-0)

Operation temperature: -30°C~70°C
Service life: 70000 hours @40°C
Weight: 1038g

DIMENSION (mm)



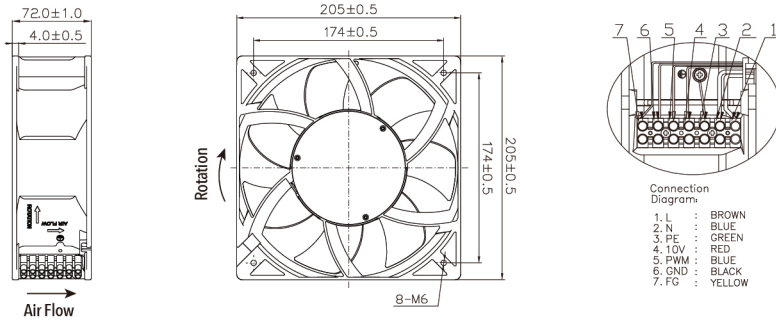
Model	Voltage (V)	Operation Voltage (VAC)	Frequency (Hz)	Power (W)	Speed (RPM)	Maximm Air Flow (m ³ /min)	Maximum Air Pressure (mmH ₂ O)	Maximum Air Pressure (INH ₂ O)	Noise (dB)
LKE20060M110	110	110-120	50/60	40	3000	14.67	18.24	0.72	62.9
	220	220-240							

205x205x72mm LKE20572

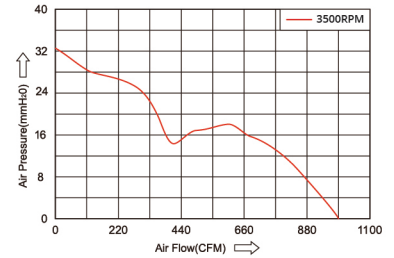
Bearing system: Ball bearing
Impeller & Frame: Thermoplastic PBT (UL94 V-0)
Insulation level: Class B

Operation temperature: -20°C~85°C
Service life: 40000 hours @40°C
Weight: 1880g

DIMENSION (mm)



Model	Rated Voltage	Rated Current	Frequency	Operation Voltage	Power	Speed	Air Pressure	Air Volume	Noise
	(V)	(A)	(Hz)	(VAC)	(W)	(RPM)	(mmH ₂ O)	(CFM)	(dB)
LKE20572HB	220	1.10	50/60	165-265	150	3500	32.5	985	73.2

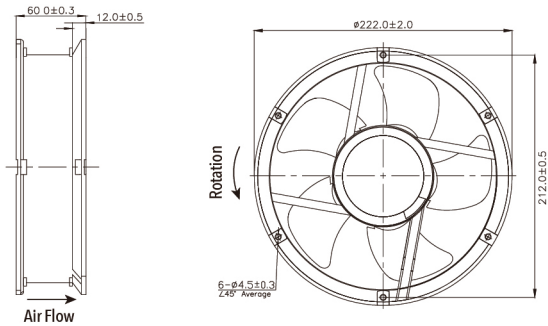


220x220x60mm LKE22060

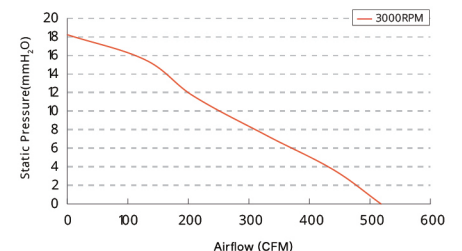
Bearing system: Ball bearing
Frame: Aluminum ADC-12
Impeller: Thermoplastic PBT (UL94 V-0)

Operation temperature: -30°C~70°C
Service life: 70000 hours @40°C
Weight: 1038g

DIMENSION (mm)



Model	Voltage	Operation Voltage	Frequency	Power	Speed	Maximum Air Flow	Maximum Air Pressure	Noise
	(V)	(VAC)	(Hz)	(W)	(RPM)	(m ³ /min) (CFM)	(mmH ₂ O) (INH ₂ O)	(dB)
LKE22060M110	110	110-120	50/60	40	3000	14.67 518.41	18.24 0.72	62.9
LKE22060M220	220	220-240						



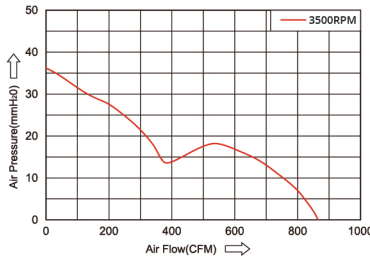
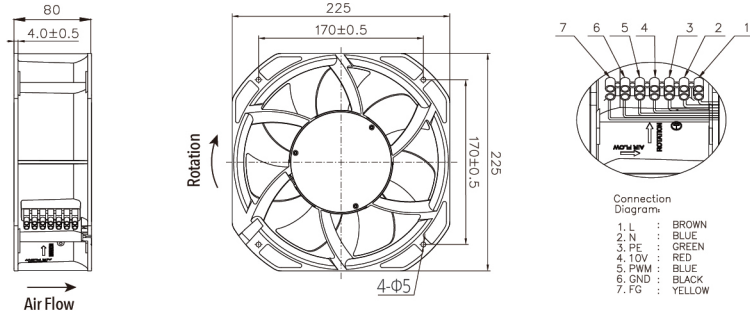
LKE22580 225x225x80mm



Bearing system: Ball bearing
 Impeller : Thermoplastic PBT (UL94 V-0)
 Fname: Aluminum alloy

Operation temperature: -20°C~85°C
 Service life: 40000 hours @40°C
 Weight: 2000g

DIMENSION (mm)



Model	Rated Voltage (V)	Rated Current (A)	Frequency (Hz)	Operation Voltage (VAC)	Power (W)	Speed (RPM)	Air Pressure (mmH ₂ O)	Air Volume (CFM)	Noise (dB)
LKE22580HB	220	0.7	50/60	165-265	108	3500	36	863	68

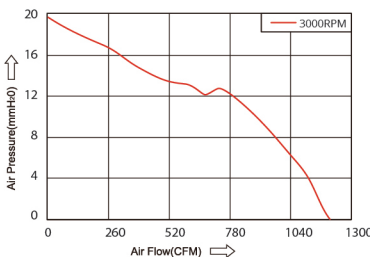
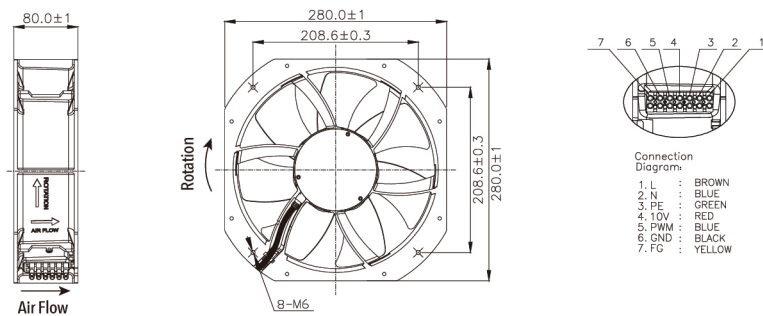
LKE28080 280x280x80mm



Bearing system: Ball bearing
 Impeller : Thermoplastic PBT (UL94 V-0)
 Fname: Aluminum alloy

Operation temperature: -10°C~65°C
 Service life: 40000 hours @40°C
 Weight: 2400g

DIMENSION (mm)



Model	Rated Voltage (V)	Rated Current (A)	Frequency (Hz)	Operation Voltage (VAC)	Power (W)	Speed (RPM)	Air Pressure (mmH ₂ O)	Air Volume (CFM)	Noise (dB)
LKE28080HB	220	0.82	50/60	165-265	116	3000	19.6	1214	70

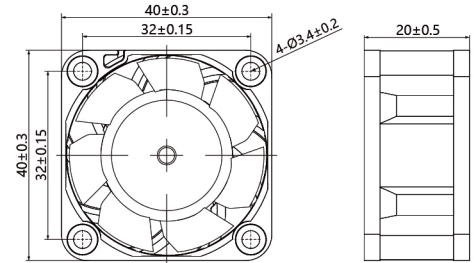
LK4020 40x40x20mm



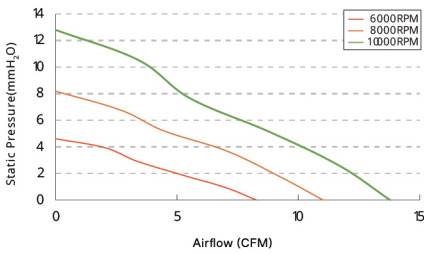
PARAMETER

Bearing system: Ball or sleeve
Material: Thermoplastic PBT (UL94 V-0)
Service life: 70,000h (ball)/30,000h (Sleeve)
Operation temperature:
 -30°C~70°C(Ball)
 -10°C~55°C(Sleeve)
Weight: 24.5g

DIMENSION (mm)



Air Performance



Model	Voltage	Voltage Range	Current	Power	Speed	Maximum Air Flow		Maximum Air Pressure		Noise
	(V)	(V)	(A)	(W)	(RPM)	(m ³ /min)	(CFM)	(mmH ₂ O)	(INH ₂ O)	
LK4020L05	5	3.6-6.8	0.15	0.75	6000	0.23	8.27	4.61	0.18	31.0
LK4020L12	12	6.0-13.5	0.07	0.84						
LK4020L24	24	18-26.5	0.03	0.72						
LK4020M05	5	3.6-6.8	0.38	1.90	8000	0.31	11.02	8.19	0.32	37.9
LK4020M12	12	6.0-13.5	0.16	1.92						
LK4020M24	24	18-26.5	0.08	1.92						
LK4020H12	12	6.0-13.5	0.31	3.72	10000	0.39	13.78	12.80	0.50	43.2
LK4020H24	24	18-26.5	0.16	3.84						

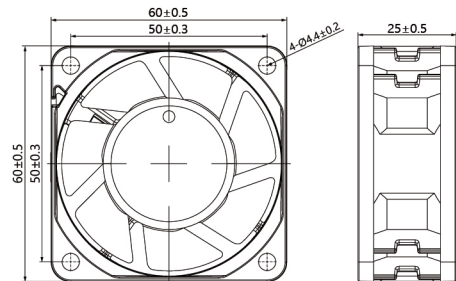
LK6025 60x60x25mm



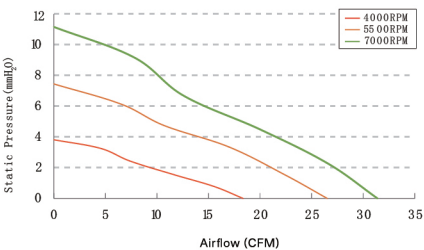
PARAMETER

Bearing system: Ball or sleeve
Material: Thermoplastic PBT (UL94 V-0)
Service life: 70,000h (ball)/30,000h (Sleeve)
Operation temperature:
 -30°C~70°C(Ball)
 -10°C~55°C(Sleeve)
Weight: 61.2g
 Option: IP67/IP68 customized

DIMENSION (mm)



Air Performance



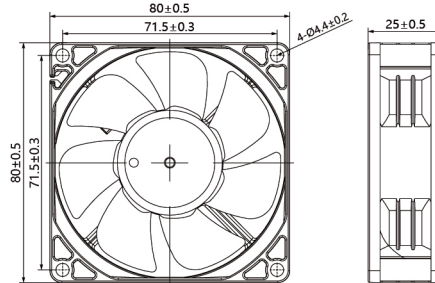
Model	Voltage	Voltage Range	Current	Power	Speed	Maximum Air Flow		Maximum Air Pressure		Noise
	(V)	(V)	(A)	(W)	(RPM)	(m ³ /min)	(CFM)	(mmH ₂ O)	(INH ₂ O)	
LK6025L12	12	6.0-13.5	0.15	1.80	4000	0.52	18.36	3.82	0.15	34.6
LK6025L24	24	18-26.5	0.07	0.84						
LK6025L48	48	36-54	0.04	0.72						
LK6025M12	12	6.0-13.5	0.20	1.90	5500	0.75	26.52	7.45	0.29	41.6
LK6025M24	24	18-26.5	0.10	1.92						
LK6025M48	48	36-54	0.06	1.92						
LK6025H12	12	6.0-13.5	0.35	3.72	7000	0.89	31.39	11.16	0.44	47.4
LK6025H24	24	18-26.5	0.19	3.84						
LK6025H48	48	36-54	0.10	4.80						

80x80x25mm LK8025

PARAMETER

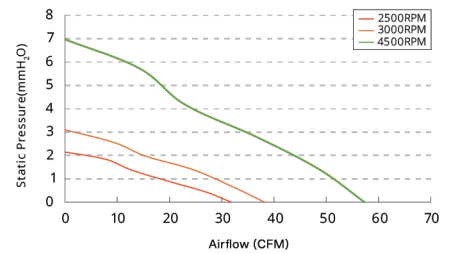
Bearing system: Ball or sleeve
Material: Thermoplastic PBT (UL94 V-0)
Service life: 70,000h (ball)/30,000h (Sleeve)
Operation temperature:
 -30°C~70°C(Ball)
 -10°C~55°C(Sleeve)
Weight: 72g
 Option: IP67/IP68 customized

DIMENSION (mm)



Model	Voltage	Voltage Range	Current	Power	Speed	Maximum Air Flow	Maximum Air Pressure	Noise
	(V)	(V)	(A)	(W)	(RPM)	(m ³ /min) (CFM)	(mmH ₂ O) (INH ₂ O)	(dB)
LK8025L12B	12	6.0-13.5	0.15	1.80	2500	0.90 31.85	2.15 0.08	31.5
LK8025L24B	24	18-26.5	0.08	1.92				
LK8025L48B	48	36-54	0.04	1.92				
LK8025M12B	12	6.0-13.5	0.30	3.60	3000	1.08 38.23	3.10 0.12	35.7
LK8025M24B	24	18-26.5	0.15	3.60				
LK8025M48B	48	36-54	0.07	3.36				
LK8025H12B	12	6.0-13.5	0.45	5.40	4500	1.62 57.34	6.97 0.27	45.4
LK8025H24B	24	18-26.5	0.25	6.00				
LK8025H48B	48	36-54	0.12	5.76				

Air Performance

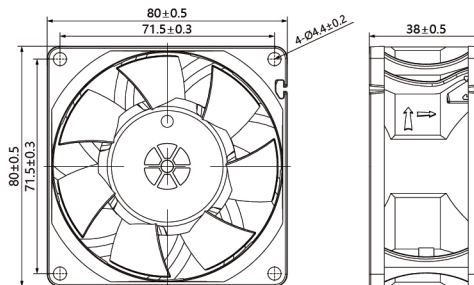


80x80x38mm LK8038-HP

PARAMETER

Bearing system: Ball bearing
Material: Thermoplastic PBT (UL94 V-0)
Service life: 70,000h@40°C
Operation temperature: -30°C~70°C
Weight: 177.6g
 Option: IP67/IP68 customized

DIMENSION (mm)

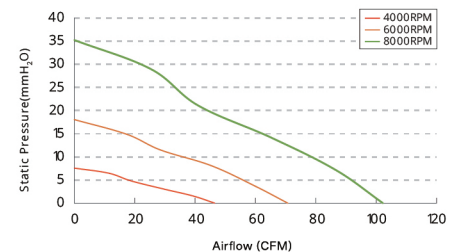


High Pressure series



Model	Voltage	Voltage Range	Current	Power	Speed	Maximum Air Flow	Maximum Air Pressure	Noise
	(V)	(V)	(A)	(W)	(RPM)	(m ³ /min) (CFM)	(mmH ₂ O) (INH ₂ O)	(dB)
LK8038L12B-HP	12	6.0-13.5	0.24	2.88	4000	1.32 46.54	7.58 0.30	48.5
LK8038L24B-HP	24	18-26.5	0.12	2.88				
LK8038L48B-HP	48	36-54	0.07	3.36				
LK8038M12B-HP	12	6.0-13.5	0.80	9.60	6000	2.00 70.73	18.04 0.71	56.9
LK8038M24B-HP	24	18-26.5	0.40	9.60				
LK8038M48B-HP	48	36-54	0.20	9.60				
LK8038H12B-HP	12	6.0-13.5	1.80	21.60	8000	2.89 102.23	35.24 1.39	65.8
LK8038H24B-HP	24	18-26.5	0.90	21.60				
LK8038H48B-HP	48	36-54	0.45	21.60				

Air Performance



LK9225/9238-HP

DC FAN



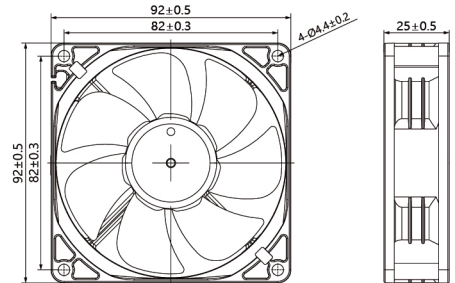
LK9225 92x92x25mm



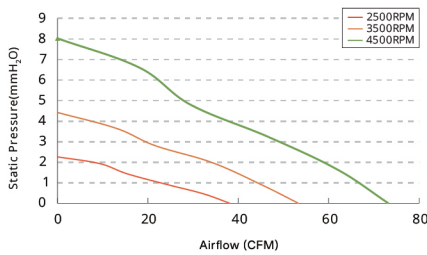
PARAMETER

Bearing system: Ball or sleeve
Material: Thermoplastic PBT (UL94 V-0)
Service life: 70,000h (ball)/30,000h (Sleeve)
Operation temperature:
 -30°C~70°C(Ball)
 -10°C~55°C(Sleeve)
Weight: 102g
Option: IP67/IP68 customized

DIMENSION (mm)



Air Performance



Model	Voltage (V)	Voltage Range (V)	Current (A)	Power (W)	Speed (RPM)	Maximum Air Flow (m ³ /min) (CFM)	Maximum Air Pressure (mmH ₂ O) (INH ₂ O)	Noise (dB)
LK9225L12B	12	6.0-13.5	0.13	1.56	2500	1.08 (38.12)	2.26 (0.09)	31.7
LK9225L24B	24	18-26.5	0.06	1.44				
LK9225L48B	48	36-54	0.04	1.92				
LK9225M12B	12	6.0-13.5	0.25	3.00	3500	1.51 (53.3)	4.42 (0.17)	38.5
LK9225M24B	24	18-26.5	0.12	2.88				
LK9225M48B	48	36-54	0.06	2.88				
LK9225H12B	12	6.0-13.5	0.52	6.24	4500	2.07 (73.2)	8.03 (0.32)	45.8
LK9225H24B	24	18-26.5	0.25	6.00				
LK9225H48B	48	36-54	0.12	6.24				

LK9238-HP 92x92x38mm

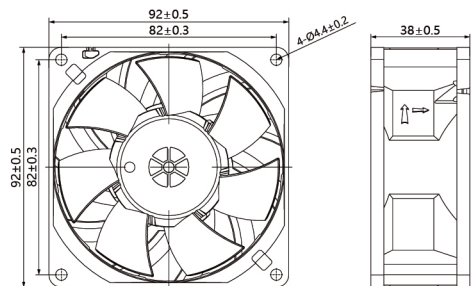


High Pressure series

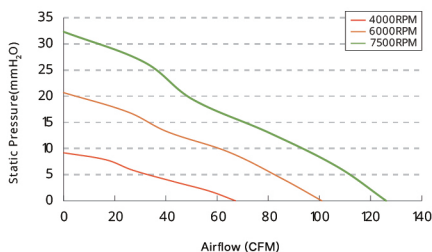
PARAMETER

Bearing system: Ball bearing
Material: Thermoplastic PBT (UL94 V-0)
Service life: 70,000h@40°C
Operation temperature: -30°C~70°C
Weight: 202g
Option: IP67 customized

DIMENSION (mm)



Air Performance



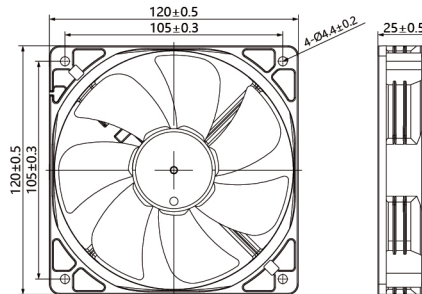
Model	Voltage (V)	Voltage Range (V)	Current (A)	Power (W)	Speed (RPM)	Maximum Air Flow (m ³ /min) (CFM)	Maximum Air Pressure (mmH ₂ O) (INH ₂ O)	Noise (dB)
LK9238L12B-HP	12	6.0-13.5	0.27	3.24	4000	1.90 (67.27)	9.20 (0.36)	46.9
LK9238L24B-HP	24	18-26.5	0.15	3.60				
LK9238L48B-HP	48	36-54	0.08	3.84				
LK9238M12B-HP	12	6.0-13.5	0.90	10.80	6000	2.86 (100.98)	20.69 (0.81)	56.6
LK9238M24B-HP	24	18-26.5	0.50	12.00				
LK9238M48B-HP	48	36-54	0.25	12.00				
LK9238H12B-HP	12	6.0-13.5	1.80	21.60	7500	3.57 (126.12)	32.33 (1.27)	61.9
LK9238H24B-HP	24	18-26.5	0.90	21.60				
LK9238H48B-HP	48	36-54	0.45	21.60				

120x120x25mm LK12025

PARAMETER

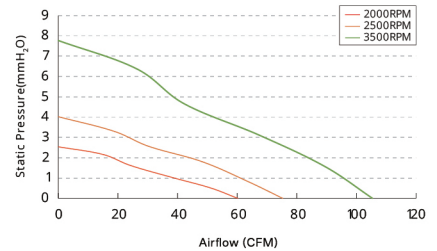
Bearing system: Ball or sleeve
Material: Thermoplastic PBT (UL94 V-0)
Service life: 70,000h (ball)/30,000h (Sleeve)
Operation temperature:
 -30°C~70°C(Ball)
 -10°C~55°C(Sleeve)
Weight: 121.3g
Option: IP67 customized

DIMENSION (mm)



Model	Voltage	Voltage Range	Current	Power	Speed	Maximum Air Flow		Maximum Air Pressure		Noise
	(V)	(V)	(A)	(W)	(RPM)	(m ³ /min)	(CFM)	(mmH ₂ O)	(INH ₂ O)	(dB)
LK12025L12B	12	6.0-13.5	0.15	1.80	2000	1.70	60.23	2.54	0.10	37.1
LK12025L24B	24	18-26.5	0.09	2.16						
LK12025L48B	48	36-54	0.04	1.92	2500	2.13	75.29	4.02	0.16	42.4
LK12025M12B	12	6.0-13.5	0.27	3.24						
LK12025M24B	24	18-26.5	0.13	3.12						
LK12025M48B	48	36-54	0.07	3.36	3500	2.98	105.40	7.77	0.31	50.5
LK12025H12B	12	6.0-13.5	0.60	7.20						
LK12025H24B	24	18-26.5	0.30	7.20						
LK12025H48B	48	36-54	0.15	7.20						

Air Performance

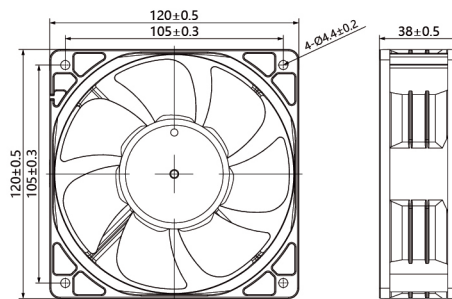


120x120x38mm LK12038

PARAMETER

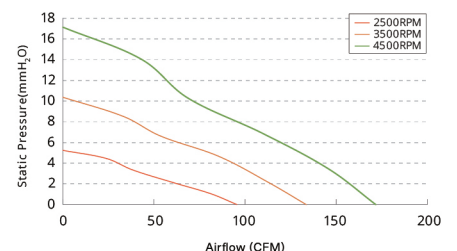
Bearing system: Ball or sleeve
Material: Thermoplastic PBT (UL94 V-0)
Service life: 70,000h (ball)/30,000h (Sleeve)
Operation temperature:
 -30°C~70°C(Ball)
 -10°C~55°C(Sleeve)
Weight: 301.5g
Option: IP67 customized

DIMENSION (mm)



Model	Voltage	Voltage Range	Current	Power	Speed	Maximum Air Flow		Maximum Air Pressure		Noise
	(V)	(V)	(A)	(W)	(RPM)	(m ³ /min)	(CFM)	(mmH ₂ O)	(INH ₂ O)	(dB)
LK12038L12B	12	6.0-13.5	0.30	3.6	2500	2.70	95.54	5.24	0.21	41.8
LK12038L24B	24	18-26.5	0.12	2.88						
LK12038L48B	48	36-54	0.08	3.84						
LK12038M12B	12	6.0-13.5	0.70	8.40	3500	3.78	133.54	10.37	0.41	50.4
LK12038M24B	24	18-26.5	0.32	7.68						
LK12038M48B	48	36-54	0.18	8.64						
LK12038H12B	12	6.0-13.5	1.5	18.00	4500	4.86	171.70	17.14	0.67	56.4
LK12038H24B	24	18-26.5	0.70	16.80						
LK12038H48B	48	36-54	0.40	19.20						

Air Performance



LK12038-HP/15050

DC FAN

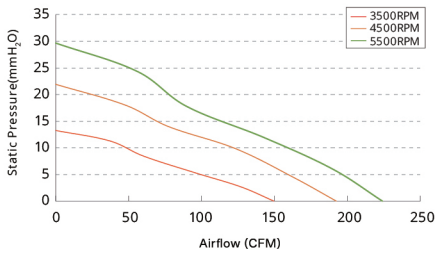
LK12038-HP 120x120x38mm



High Pressure series



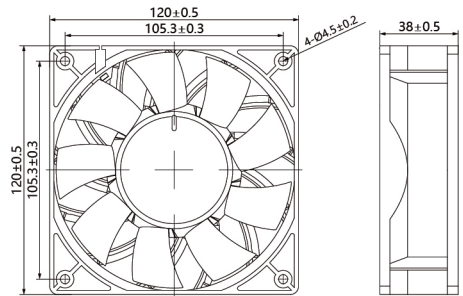
Air Performance



PARAMETER

- Bearing system: Ball bearing
- Material: Thermoplastic PBT (UL94 V-0)
- Service life: 70,000@40°C
- Operation temperature: -30°C~70°C
- Weight: 301.5g

DIMENSION (mm)

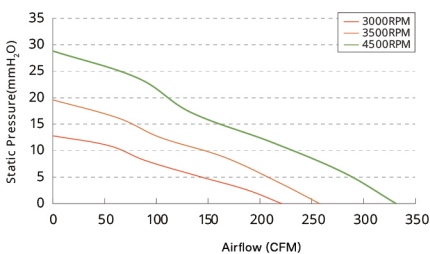


Model	Voltage (V)	Voltage Range (V)	Current (A)	Power (W)	Speed (RPM)	Maximum Air Flow		Maximum Air Pressure		Noise (dB)
						(m ³ /min)	(CFM)	(mmH ₂ O)	(IN.H ₂ O)	
LK12038L12B-HP	12	6.0-13.5	0.125	15.00	3500	4.24	149.66	13.27	0.52	57.3
LK12038L24B-HP	24	18-26.5	0.61	14.64						
LK12038L48B-HP	48	36-54	0.31	14.88						
LK12038M12B-HP	12	6.0-13.5	2.40	28.8	4500	5.45	192.42	21.94	0.86	63.3
LK12038M24B-HP	24	18-26.5	1.30	31.2						
LK12038M48B-HP	48	36-54	0.60	28.80						
LK12038H24B-HP	24	18-26.5	1.50	36.00	5500	6.30	224.03	29.69	1.16	61.9
LK12038H48B-HP	48	36-54	0.70	33.60						

LK15050 150x150x50mm



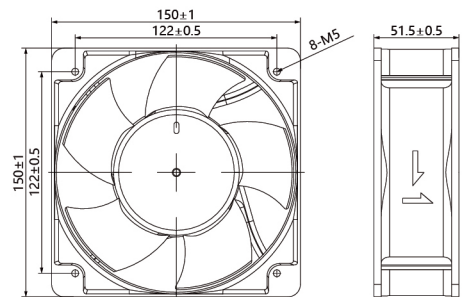
Air Performance



PARAMETER

- Bearing system: Ball bearing
- Material: Thermoplastic PBT (UL94 V-0)
- Service life: 70,000h@40°C
- Operation temperature: -30°C~70°C
- Weight: 700g

DIMENSION (mm)



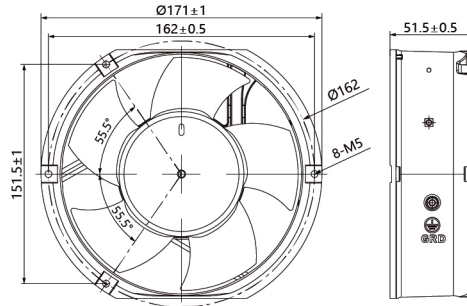
Model	Voltage (V)	Voltage Range (V)	Current (A)	Power (W)	Speed (RPM)	Maximum Air Flow		Maximum Air Pressure		Noise (dB)
						(m ³ /min)	(CFM)	(mmH ₂ O)	(IN.H ₂ O)	
LK15050L12B	12	6.0-13.5	1.10	13.20	3000	6.25	220.94	12.81	0.50	56.7
LK15050L24B	24	18-26.5	0.52	12.48						
LK15050L48B	48	36-54	0.27	12.96						
LK15050M12B	12	6.0-13.5	1.70	20.40	3500	7.29	257.52	19.60	0.77	60.4
LK15050M24B	24	18-26.5	0.82	19.68						
LK15050M48B	48	36-54	0.40	19.20						
LK15050H12B	12	6.0-13.5	3.6	43.20	4500	9.38	331.41	28.83	1.14	66.4
LK15050H24B	24	18-26.5	1.74	41.76						
LK15050H48B	48	36-54	0.88	42.24						

172x150x51mm LK17250

PARAMETER

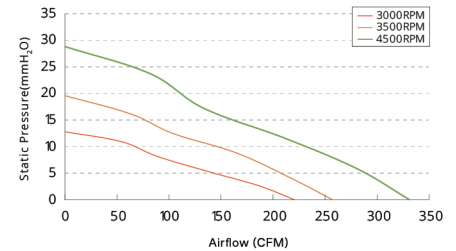
Bearing system: Ball bearing
Frame: Aluminum ADC-12
Impeller: Thermoplastic PBT (UL94 V-0)
Service life: 70,000h@40°C
Operation temperature: -30°C~70°C
Weight: 655g

DIMENSION (mm)



Model	Voltage	Voltage Range	Current	Power	Speed	Maximum Air Flow	Maximum Air Pressure	Noise
	(V)	(V)	(A)	(W)	(RPM)	(m ³ /min) (CFM)	(mmH ₂ O) (INH ₂ O)	(dB)
LK17250L12B	12	6.0-13.5	1.10	13.20	3000	6.25 220.94	12.81 0.50	56.7
LK17250L24B	24	18-26.5	0.52	12.48				
LK17250L48B	48	36-54	0.27	12.96				
LK17250M12B	12	6.0-13.5	1.70	20.40	3500	7.29 257.52	19.60 0.77	60.4
LK17250M24B	24	18-26.5	0.82	19.68				
LK17250M48B	48	36-54	0.40	19.20				
LK17250H12B	12	6.0-13.5	3.6	43.20	4500	9.38 331.41	28.83 1.14	66.4
LK17250H24B	24	18-26.5	1.74	41.76				
LK17250H48B	48	36-54	0.88	42.24				

Air Performance

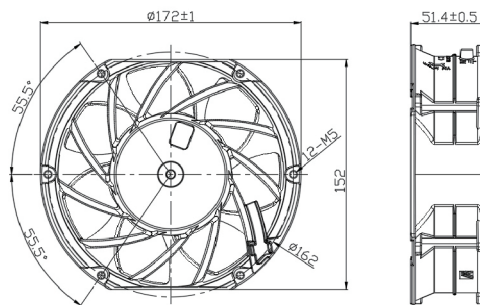


172x150x51mm LK17250D

PARAMETER

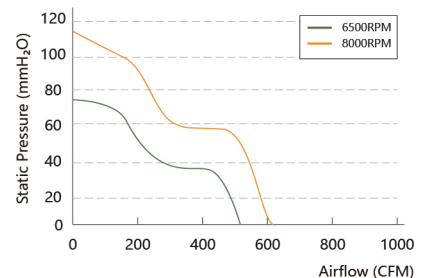
Bearing system: Ball bearing
Frame: Aluminum ADC-12
Impeller: PA66 Nylon
Service life: 70,000h@40°C
Operation temperature: -30°C~70°C
Weight: 820g

DIMENSION (mm)



Model	Voltage	Voltage Range	Current	Power	Speed	Maximum Air Flow	Maximum Air Pressure	Noise
	(V)	(V)	(A)	(W)	(RPM)	(m ³ /min) (CFM)	(mmH ₂ O) (INH ₂ O)	(dB)
LK17250DM24B	12	18-26.5	5.00	120	6500	14.83 490	72.79 2.87	71
LK17250DH48B	24	36-54	5.10	245	8000	18.25 605	110.26 4.34	75

Air Performance



LK20060/22060

DC FAN



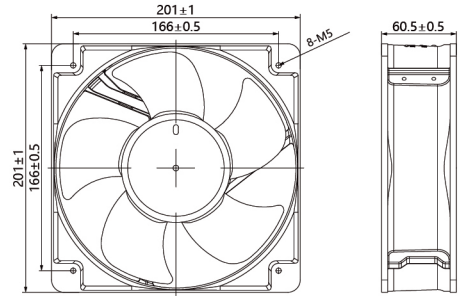
LK20060 200x200x60mm



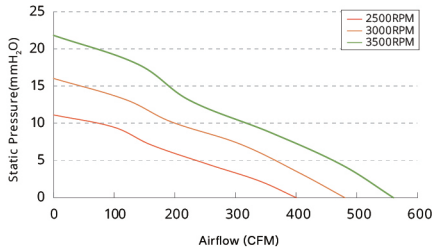
PARAMETER

Bearing system: Ball bearing
 Frame: Aluminum ADC-12
 Impeller :Thermoplastic PBT (UL94 V-0)
 Service life: 70,000h@40°C
 Operation temperature:-30°C~70°C
 Weight: 1038g

DIMENSION (mm)



Air Performance



Model	Voltage (V)	Voltage Range (V)	Current (A)	Power (W)	Speed (RPM)	Maximum Air Flow		Maximum Air Pressure		Noise (dB)
						(m ³ /min)	(CFM)	(mmH ₂ O)	(INH ₂ O)	
LK20060L12B	12	6.0-13.5	2.15	25.80	2500	11.33	400.42	11.14	0.44	59.7
LK20060L24B	24	18-26.5	1.00	24.00						
LK20060L48B	48	36-54	0.52	24.96						
LK20060M12B	12	6.0-13.5	3.60	43.20	3000	13.60	480.50	16.04	0.63	64.1
LK20060M24B	24	18-26.5	1.76	42.24						
LK20060M48B	48	36-54	0.90	43.20						
LK20060H12B	12	6.0-13.5	5.70	68.40	3500	9.38	331.41	21.83	0.86	67.8
LK20060H24B	24	18-26.5	2.80	67.20						
LK20060H48B	48	36-54	1.37	65.76						

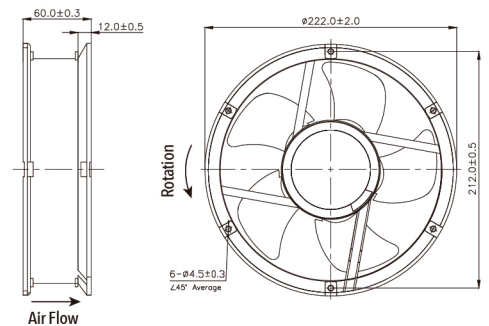
LK22060 220x60mm



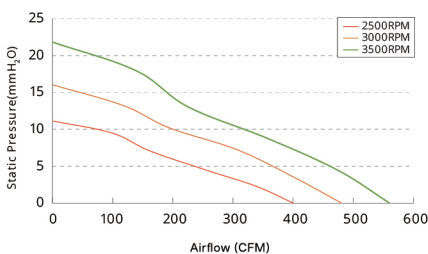
PARAMETER

Bearing system: Ball bearing
 Frame: Aluminum ADC-12
 Impeller :Thermoplastic PBT (UL94 V-0)
 Service life: 70,000h@40°C
 Operation temperature:-30°C~70°C
 Weight: 1038g

DIMENSION (mm)



Air Performance

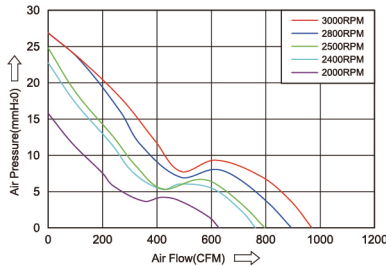


Model	Voltage (V)	Voltage Range (V)	Current (A)	Power (W)	Speed (RPM)	Maximum Air Flow		Maximum Air Pressure		Noise (dB)
						(m ³ /min)	(CFM)	(mmH ₂ O)	(INH ₂ O)	
LK22060L12B	12	6.0-13.5	2.15	25.80	2500	11.33	400.42	11.14	0.44	59.7
LK22060L24B	24	18-26.5	1.00	24.00						
LK22060L48B	48	36-54	0.52	24.96						
LK22060M12B	12	6.0-13.5	3.60	43.20	3000	13.60	480.50	16.04	0.63	64.1
LK22060M24B	24	18-26.5	1.76	42.24						
LK22060M48B	48	36-54	0.90	43.20						
LK22060H12B	12	6.0-13.5	5.70	68.40	3500	9.38	331.41	21.83	0.86	67.8
LK22060H24B	24	18-26.5	2.80	67.20						
LK22060H48B	48	36-54	1.37	65.76						

LK25489-7 254x89mm



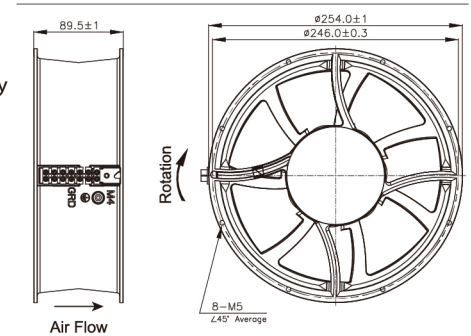
Air Performance



PARAMETER

- Bearings:** Ball bearings
- Lead Wire:** UL Type
- Material:** Impeller: Plastic; Frame: Aluminum Alloy
- Insulation level:** Class B
- Working temperature:** -10°C~70°C
- Weight:** 2600g

DIMENSION (mm)

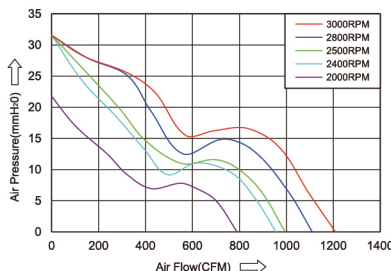


Model	Voltage (V)	Current (A)	Speed (RPM)	Air Pressure (mmH2O)	Air volume (CFM)	Noise (dB)
LK25489H12B-7	12	8.0	2500	24.8	796.7	55
LK25489H24B-7	24	4.0	2800	26.9	894.9	58
LK25489M24B-7	24	2.0	2400	22.8	762.2	53
LK25489L24B-7	24	0.80	2000	15.8	628.3	48
LK25489H48B-7	48	2.0	3000	26.9	970.1	59
LK25489M48B-7	48	1.0	2500	24.8	796.7	55
LK25489L48B-7	48	0.60	2000	15.8	628.3	48

LK28080 280x280x80mm



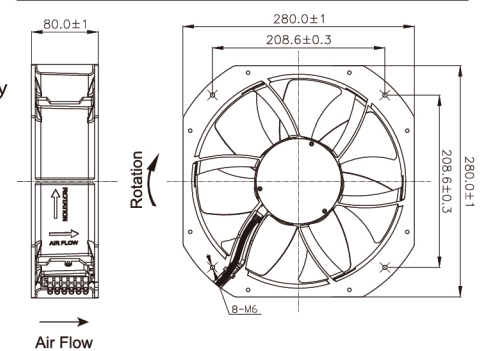
Air Performance



PARAMETER

- Bearings:** Ball bearings
- Lead Wire:** UL Type
- Material:** Impeller: Plastic; Frame: Aluminum Alloy
- Insulation level:** Class B
- Working temperature:** -10°C~70°C
- Weight:** 2400g

DIMENSION (mm)



Model	Voltage (V)	Current (A)	Speed (RPM)	Air Pressure (mmH2O)	Air Volume (CFM)	Noise (dB)
LK28080H12B	12	8.0	2500	31.6	994.6	58
LK28080H24B	24	5.0	2800	31.6	1110.4	61
LK28080M24B	24	4.0	2400	31.6	955.5	57
LK28080L24B	24	3.0	2000	21.7	790.1	54
LK28080H48B	48	3.50	3000	31.6	1209.1	62
LK28080M48B	48	2.50	2500	31.6	994.6	58
LK28080L48B	48	1.20	2000	21.7	790.1	54

EXTERNAL SIZE 133x41 mm

- Motor structure:** outer rotor motor 72mm
- Safety:** thermal protection
- Operating system:** high-precision double ball bearing
- Withstand voltage:** AC 1800V, at 0.5mA, 50/60Hz
- Allowable ambient temperature and humidity:** -25°C~+75°C
10%~+80%°F

- Insulation level:** F (IEC61858 standard)
- IP level:** IP44
- Weight:** 0.66Kg

- Material:** Fan blade: PA nylon, 7 blades
- Bearing: NSK ball bearing
- Motor life: 60000 hours at 25°C

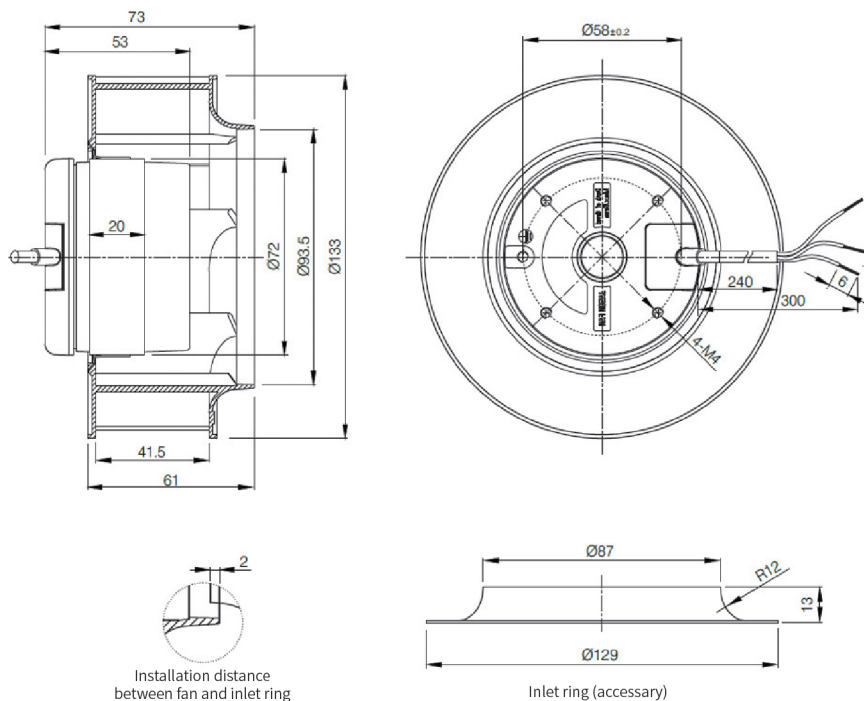


IP44 **CE**

SPECIFICATION

Model	Voltage	Frequency	Current	Input power	Speed	Air volume		Noise
						(CFM)	(m³/h)	
C2S-133.41C	115	50	0.51	38	2650	159	270	52
		60	0.42	35	2700	177	300	55
C2E-133.41C	230	50	0.26	39	2550	159	270	52
		60	0.23	39	2670	177	300	55
C2D-133.41C	380	50	0.13	35	2550	159	270	52
		60	0.11	34	2670	177	300	55

DIMENSION (mm)



175.42 series

CENTRIFUGAL FAN

EXTERNAL SIZE 175x42mm

- Motor structure:** outer rotor motor 92mm
- Safety:** thermal protection
- Operating system:** high-precision double ball bearing
- Withstand voltage:** AC 1800V, at 0.5mA, 50/60Hz
- Allowable ambient temperature and humidity:** -25°C ~+75°C
10%~+80%F

Insulation level: F (IEC61858 standard)

IP level: IP44

Weight: 1.24Kg

- Material:** Fan blade: PA nylon, 7 blades
- Bearing: NSK ball bearing
- Motor life: 60000 hours at 25°C



IP44

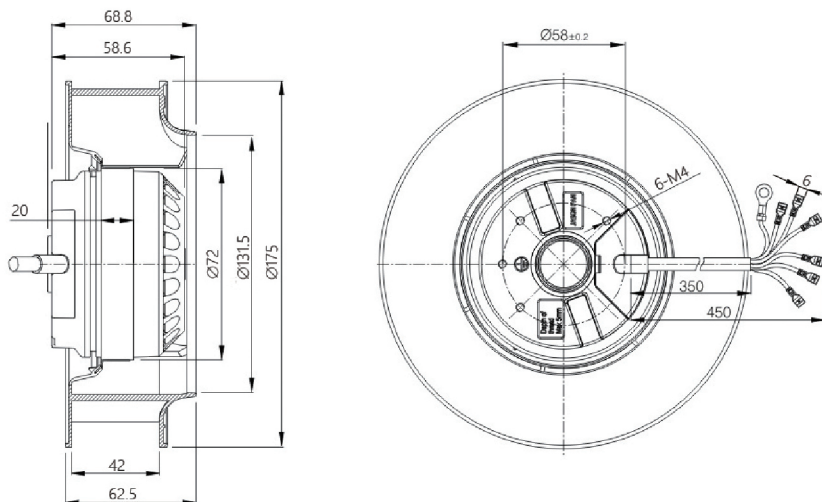
CE

-25 +75
°C

SPECIFICATION

Model	Voltage	Frequency	Current	Input power	Speed	Air volume		Noise
						(CFM)	(m ³ /h)	
C2S-175.45C	115	50	0.57	56	2500	324	550	58
		60	0.53	59	2850	348	590	61
C2E-175.45C	230	50	0.27	56	2500	324	550	58
		60	0.28	59	2850	348	590	61
C2S-175.45C	380	50	0.16	57	2550	296	500	59
		60	0.17	64	2900	325	550	62

DIMENSION (mm)



EXTERNAL SIZE 190x45mm

- Motor structure:** outer rotor motor 92mm
- Safety:** thermal protection
- Operating system:** high-precision double ball bearing
- Withstand voltage:** AC 1800V, at 0.5mA, 50/60Hz
- Allowable ambient temperature and humidity:** -25°C ~+75°C
10%~+80%F

- Insulation level:** F (IEC61858 standard)
- IP level:** IP44
- Weight:** 1.27Kg

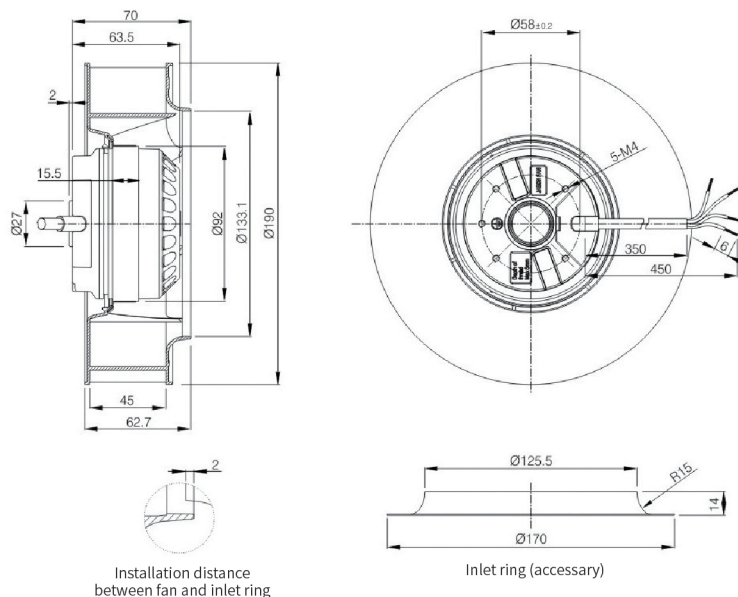
- Material:** Fan blade: PA nylon, 7 blades
- Bearing: NSK ball bearing
- Motor life: 60000 hours at 25°C



SPECIFICATION

Model	Voltage	Frequency	Current	Input power	Speed	Air volume		Noise
						(CFM)	(m ³ /h)	
C2S-190.45A	115	50	0.64	65	2500	336	570	59
		60	0.65	71	2700	366	620	61
C2E-190.45A	230	50	0.26	58	2500	336	570	59
		60	0.33	74	2700	366	620	61
C2D-190.45A	400	50	0.17	63	2500	336	570	59
		60	0.19	73	2700	366	620	61
C4E-190.45A	230	50	0.13	27	1400	182	310	48
		60	0.12	27	1600	212	360	51

DIMENSION (mm)



220.44 series

CENTRIFUGAL FAN



EXTERNAL SIZE 220x44mm

- Motor structure:** outer rotor motor 92mm
- Safety:** thermal protection
- Operating system:** high-precision double ball bearing
- Withstand voltage:** AC 1800V, at 0.5mA, 50/60Hz
- Allowable ambient temperature and humidity:** -25°C ~+75°C
10%~+80%F
- Insulation level:** F (IEC61858 standard)
- IP level:** IP44
- Weight:** 1.80Kg
- Material:** Fan blade: PA nylon, 7 blades
Bearing: NSK ball bearing
Motor life: 60000 hours at 25°C



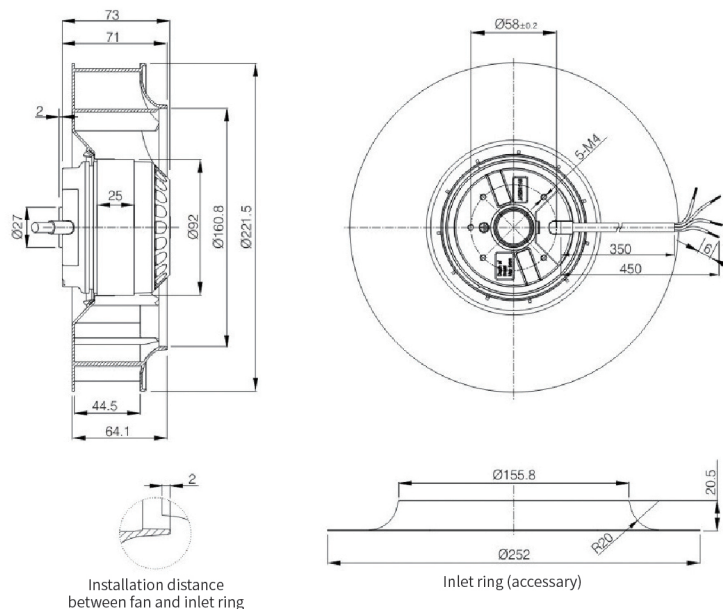
IP44



SPECIFICATION

Model	Voltage	Frequency	Current	Input power	Speed	Air volume		Noise
						(CFM)	(m ³ /h)	
C2S-220.44B	115	50	1.00	98	2600	507	860	67
		60	1.17	120	2900	578	980	70
C2E-220.44B	230	50	0.46	98	2600	507	860	67
		60	0.51	118	2900	578	980	70
C2D-220.44B	400	50	0.29	100	2600	507	860	67
		60	0.35	125	2900	578	980	70
C4E-220.44B	230	50	0.23	48	1400	273	463	52
		60	0.24	58	1670	325	552	56

DIMENSION (mm)



EXTERNAL SIZE **225x63mm**

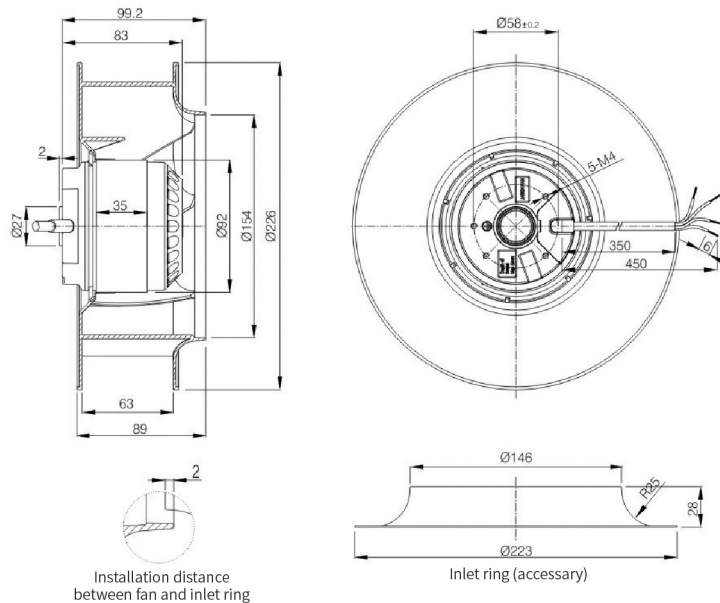
- Motor structure:** outer rotor motor 92mm
- Safety:** thermal protection
- Operating system:** high-precision double ball bearing
- Withstand voltage:** AC 1800V, at 0.5mA, 50/60Hz
- Allowable ambient temperature and humidity:** -25°C ~+75°C
10%~+80%F
- Insulation level:** F (IEC61858 standard)
- IP level:** IP44
- Weight:** 2.30Kg
- Material:** Fan blade: PA nylon, 7 blades
Bearing: NSK ball bearing
Motor life: 60000 hours at 25°C



SPECIFICATION

Model	Voltage	Frequency	Current	Input power	Speed	Air volume		Noise
						(CFM)	(m ³ /h)	
C2S-225.63C	115	50	1.18	130	2650	708	1200	68
		60	1.53	168	2950	791	1340	71
C2E-225.63C	230	50	0.62	135	2650	708	1200	68
		60	0.77	170	2950	791	1340	71
C2D-225.63C	400	50	0.34	120	2500	708	1200	68
		60	0.44	180	2700	791	1340	71
C4E-225.63C	230	50	0.30	65	1480	419	710	61
		60	0.37	80	1650	483	818	63

DIMENSION (mm)



EXTERNAL SIZE 250x56mm

Motor structure: outer rotor motor 92mm

Safety: thermal protection

Operating system: high-precision double ball bearing

Withstand voltage: AC 1800V, at 0.5mA, 50/60Hz

Allowable ambient temperature and humidity: -25°C ~+75°C
10%~+80%F

Insulation level: F (IEC61858 standard)

IP level: IP44

Weight: 2.90Kg

Material: Fan blade: Metal

Bearing: NSK ball bearing

Motor life: 60000 hours at 25°C



IP44

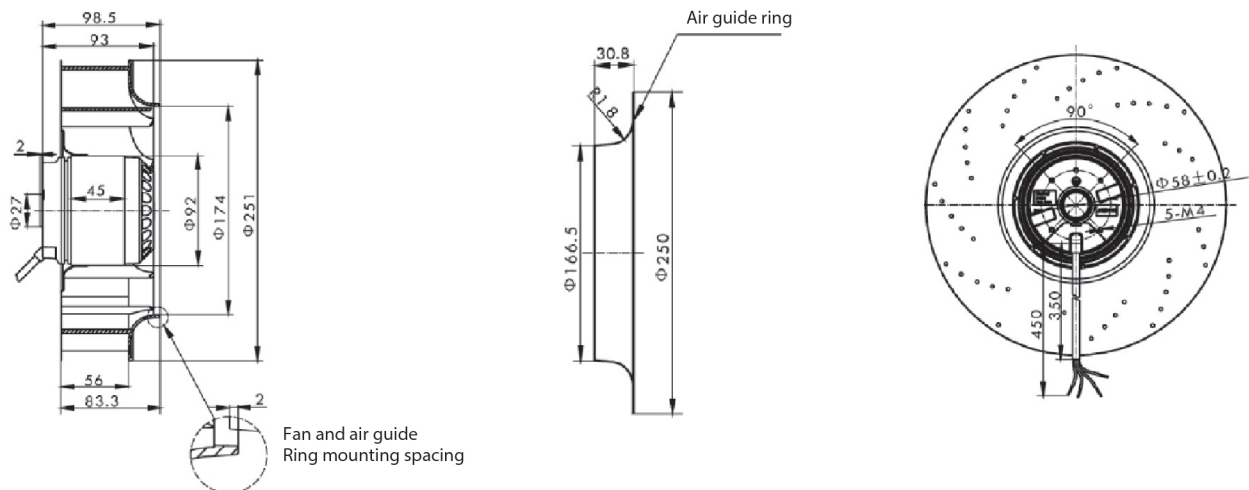
CE

-25 +75
°C

SPECIFICATION

Model	Voltage	Frequency	Current	Input power	Speed	Air volume		Noise
						(CFM)	(m³/h)	
C2S-250.56A	115	50	1.38	155	2600	856	1450	74
		60	1.90	208	2800	897	1520	76
C2E-250.56A	230	50	0.70	152	2550	856	1450	74
		60	0.93	205	2750	897	1520	76
C4S-250.56B	115	50	0.64	70	1400	478	810	61
		60	0.81	89	1600	548	930	64
C4E-250.56B	230	50	0.32	70	1450	484	820	61
		60	0.39	88	1650	555	940	64

DIMENSION (mm)



315.101 series CENTRIFUGAL FAN

EXTERNAL SIZE 316x102mm

- Motor structure:** outer rotor motor 102mm
- Safety:** thermal protection
- Operating system:** high-precision double ball bearing
- Withstand voltage:** AC 1800V, at 0.5mA, 50/60Hz
- Allowable ambient temperature and humidity:** -25°C ~+75°C
10%~+80%F
- Insulation level:** F (IEC61858 standard)
- IP level:** IP44
- Weight:** 3.80Kg
- Material:** Fan blade: Metal
Bearing: NSK ball bearing
Motor life: 60000 hours at 25°C



IP44

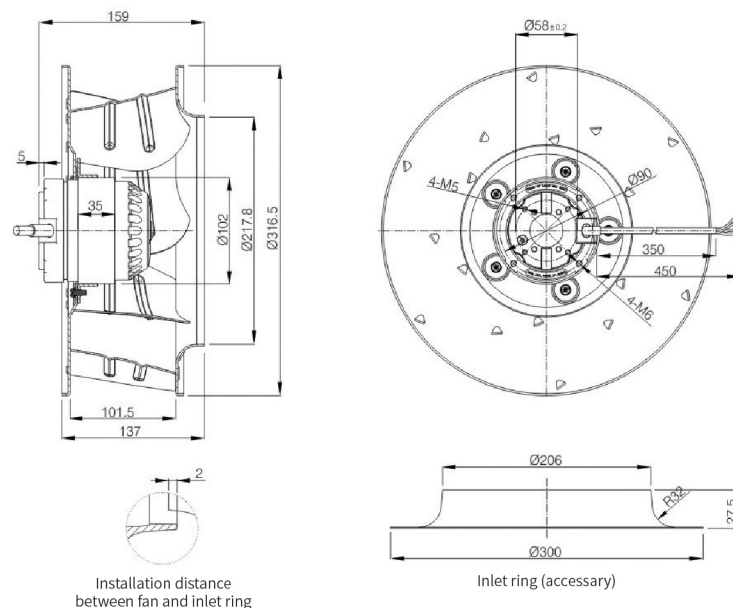
CE

-25 +75
°C

SPECIFICATION

Model	Voltage	Frequency	Current	Input power	Speed	Air volume		Noise
						(CFM)	(m ³ /h)	
C4E-315.101	230	50	0.50	110	1360	1250	2120	59
		60	0.65	150	1540	1390	2370	62
C4ED-315.101	230/400	50	0.62/0.33	136	1380	1250	2120	59
		60	0.58/0.32	137	1600	1390	2370	62
C4S-315.101	115	50	1.18	130	1370	1250	2120	59
		60	1.52	170	1550	1390	2370	62
C6E-315.101	230	50	0.32	68	940	826	1400	48
		60	0.37	83	1100	968	1640	54

DIMENSION (mm)



EXTERNAL SIZE 355x60mm

- Motor structure:** outer rotor motor 102mm
- Safety:** thermal protection
- Operating system:** high-precision double ball bearing
- Withstand voltage:** AC 1800V, at 0.5mA, 50/60Hz
- Allowable ambient temperature and humidity:** -25°C ~+75°C
10%~+80%F
- Insulation level:** F (IEC61858 standard)
- IP level:** IP44
- Weight:** 3.90Kg
- Material:** Fan blade: Metal
Bearing: NSK ball bearing
Motor life: 60000 hours at 25°C



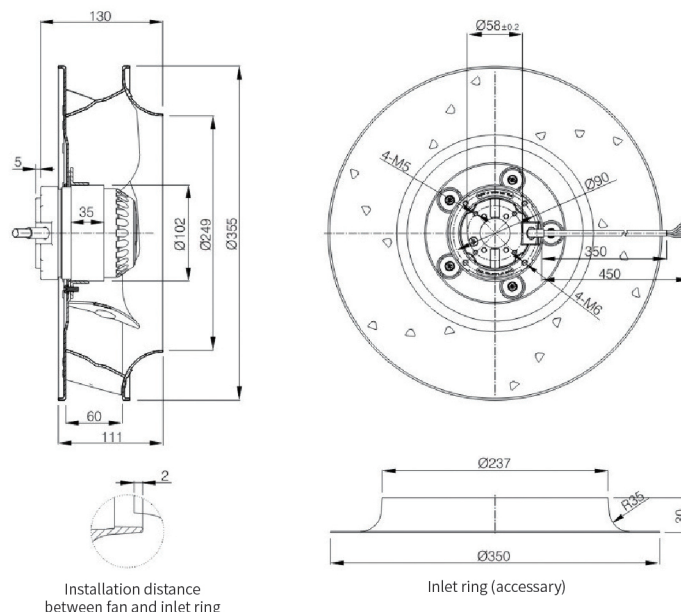
IP44 CE -25 +75 °C



SPECIFICATION

Model	Voltage (V)	Frequency (Hz)	Current (A)	Input power (W)	Speed (RPM)	Air volume		Noise (dB)
						(CFM)	(m³/h)	
C4E-355.60	230	50	0.46	105	1400	1091	1850	63
		60	0.63	145	1600	1247	2115	66
C4ED-355.60	230/400	50	0.62/0.33	136	1400	1091	1850	63
		60	0.58/0.32	137	1600	1247	2115	66
C6E-355.60	230	50	0.32	68	940	649	1240	45
		60	1.37	83	1100	760	1450	52

DIMENSION (mm)



EXTERNAL SIZE 355x95mm

- Motor structure:** outer rotor motor 102mm
- Safety:** thermal protection
- Operating system:** high-precision double ball bearing
- Withstand voltage:** AC 1800V, at 0.5mA, 50/60Hz
- Allowable ambient temperature and humidity:** -25°C ~+75°C
10%~+80%°F
- Insulation level:** F (IEC61858 standard)
- IP level:** IP44
- Weight:** 4.70Kg
- Material:** Fan blade: Metal
Bearing: NSK ball bearing
Motor life: 60000 hours at 25°C



IP44

CE

-25 +75
°C

SPECIFICATION

Model	Voltage (V)	Frequency Hz	Current (A)	Input power (W)	Speed (RPM)	Air volume		Noise (dB)
						(CFM)	(m³/h)	
C4E-355.95	230	50	0.80	175	1400	1522	2580	65
		60	1.00	250	1600	1735	2940	69
C4ED-355.95	230/400	50	0.76/0.44	166	1400	1522	2580	65
		60	0.75/0.43	225	1600	1735	2940	69
C6E-355.95	230	50	0.29	65	910	1003	1700	54
		60	0.37	85	1050	1115	1890	57

DIMENSION (mm)

